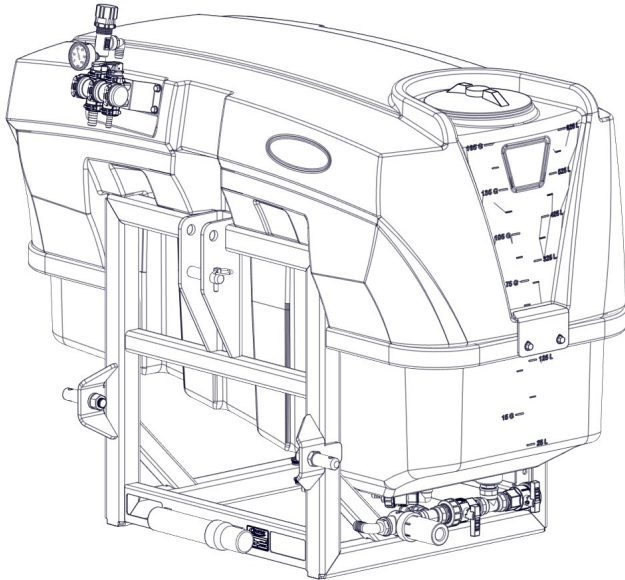
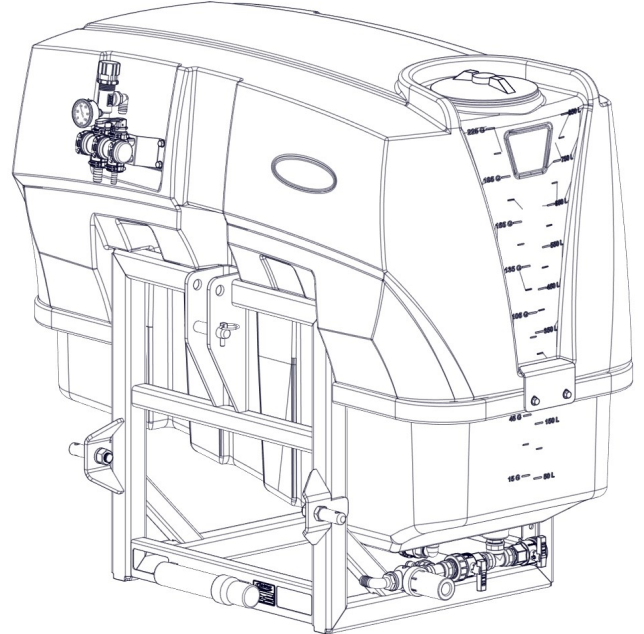


OWNER'S MANUAL

Ag Spray MC2 Series 3 Point Sprayers 165 & 225 Gallon 3-Point Sprayers



165 Gallon (5303646)



225 Gallon (5303647)

General Information

Thank You and Congratulations on purchasing your new three point hitch sprayer. The purpose of this manual is to assist you in operating and maintaining your 3-Point sprayer.

Please read it carefully, as it furnishes information which will help you achieve years of trouble-free operation. All units can be custom equipped to meet all your spraying needs. The MC Series 3 Point is designed to fit Category II Lift Arms.



WARNING: Cancer and Reproductive Harm.
www.P65Warnings.ca.gov



WARNING: To reduce the risk of injury, the user must read and understand the operator's manual before using this product.

Any Questions, Comments or Problems: Call your nearest AG SPRAY Location and speak with one of our Friendly Technical Support Staff.



[5195837 (08/23)]

BAKERSFIELD, CA 877-724-2236	COLUMBUS, NE 800-274-1025	DOTHAN, AL 800-227-4098	FARGO, ND 701-280-2862	HOPKINSVILLE, KY 800-637-7172	VISIT US ONLINE @ WWW.AGSPRAY.COM
MANKATO, MN 507-388-6295	NEWTON, KS 800-394-7662	PASCO, WA 800-634-2026	TEMPE, AZ 877-974-7166		

Table of Contents

3 - 6	Safety Information
6	Hooking Up Sprayer
7	Sprayer Boom Controls
8-13	Calibrating Sprayer
11	Calibrating Sprayer: Boomless Nozzle Application Charts
12	Calibrating Sprayer: Broadcast & Turf Application Chart 20" Spacing
14	Operating Instructions
15	Maintenance Instructions
15	Winterizing Sprayer

16-40 Component Assembly Breakdowns

16	MC2 165 Gallon 3 Point Assembly Breakdown - Base Unit
17	MC2 225 Gallon 3 Point Assembly Breakdown - Base Unit
18-19	MX4 Series Boom Assembly
20-23	479 Series Boom Assembly
24-26	2300 Series Boom Assembly
27	BXT Series Boomless Boom Assembly
28-29	PX4 Series Boomless Boom Assembly
30-31	PX4 Boom Power Fold Options
32	Hamilton Boomless Nozzle Assembly BXT Boomless Nozzle Assembly
33	MC 3-PT 22" ProSeries Handgun Kit MC 3-PT Deluxe Handgun Kit
34	Hose Reel Kit
35	Two Sec Valve Assembly 1-SEC Valve Assembly with 1/2" HB 1-SEC Valve Assembly with 3/8" HB
36	RP-800 Series 8-Roller Pump Assembly
37	Hypro 7560XL Series 8-Roller Pump Assembly
38	MC-Electric Conversion Kits
39	Foam Marker Option
40	Handwash Option
41	Warranty Info

Important Operation & Safety Information

WARNING

Read and understand **this owner's manual** completely before using the sprayer.
Read each **chemical label's instructions** before handling the chemical.

Improper use of the sprayer or handling of chemicals could result in serious injury or illness for the operator or nearby persons/animals, or cause damage to the environment.

LISTED BELOW is a summary of safety information of particular importance. See individual sections of this owner's manual for more details.

-----**BEFORE YOU BEGIN**-----



Please read and understand this manual and its instructions and warnings completely before operating the sprayer.

- **Be aware of all safety guidelines, warnings and cautions including those of the tractor manufacturer**
- **Read and understand the chemical manufacturer's labels, warnings and instructions**
- **Know and fulfill all state pesticide applicator license requirements**
- **Familiarize yourself and other operators with the sprayer's components and how all parts are operated**

-----**General Safety Guidelines**-----



Every year many unnecessary accidents occur do to improper equipment handling and a disregard for safety precautions. You, the operator, can avoid accidents by observing the precautions in this section.

- The operator should be a responsible adult. Do not allow persons to operate this sprayer until they have displayed a thorough understanding of sprayer safety precautions and operational use!
- All operators must also fulfill state pesticide applicator license requirements
- Never attempt to operate this sprayer when under the influence of alcohol or drugs.
- The best defense against accidents is a careful and responsible operator. If your sprayer is equipped with a PTO drive shaft, it is very important to take the proper safety precautions
- Failure to keep body parts or clothing clear of the sprayer's PTO drive shaft could result in serious injury or death. Ag Spray assumes no liability for any possible injury
- Never step over or work near the PTO drive shaft during operation
- When transporting the sprayer on public roads, always follow state and local regulations regarding safety and transportation requirements

Important Operation & Safety Information



Before Operation

- Carefully study and understand the owner's manual
- Read and follow chemical manufacturer's labels, warnings and instructions! A material safety data sheet (MSDS) should be provided by the chemical manufacturer
- To avoid injury from chemical hazards, wear the proper protective clothing. Each chemical manufacturer's clothing requirements are listed under the "Personal Protective Equipment (PPE)" section in the chemical instructions
- Never exceed your tractor's load rating
- Do not wear loose-fitting clothing which may catch in moving parts
- Give the sprayer a visual inspection for any worn parts, loose bolts or other visible problems and make any needed repairs
- Make sure the area is clear of any people or obstructions before using the sprayer
- Before adding chemicals, have all operators practice operating the sprayer (clean water only) and it's attachments until all operators are completely capable of safe operation



BEFORE SEASONAL USE

- **CHECK and TEST sprayer with water before adding chemical.** Temperature change can cause material fitting expansion/contraction. Serious injury could result from chemical leaks
- **REPLACE** any worn or frayed hoses. Hose failure can result in serious damage
- **INSPECT** pressure gauge. Insure the needle rests at zero when all pressure is relieved in the spray system. Failure to have a properly functioning pressure gauge can result in miss applications of chemical



DURING OPERATION

- Always be aware of bystanders, particularly children! Always look before moving the sprayer or engaging the PTO
- Never leave running equipment unattended!
- Keep hands and body parts clear of all moving parts, especially the tractor PTO
- Be aware of dangerous terrain such as holes, slopes, drop-offs, banks, rocks and hidden hazards. Operate the tractor and sprayer up and down slopes, not across
- When operating on inclines, it is especially important that your tractor is equipped with Roll Over Protection System (ROPS)
- No passengers are allowed on or in the tractor or sprayer at anytime
- Allow for sprayer boom length when making turns
- Remember that accidents can even happen to seasoned operators. Always take your time and follow all safety instructions

Important Operation & Safety Information



General Chemical Safety

- **READ and FOLLOW** all chemical label's instructions and warnings
- **AVOID** inhaling, ingesting or coming into contact with any chemicals
- **KNOW** applicable licensing and regulatory requirements for the chemical you plan to use
- **KNOW** emergency procedures before handling chemicals
- **WEAR** protective clothing, eye protection and chemical resistant gloves when filling, using and cleaning the sprayer. Wear additional protective gear, such as facemask or apron, as recommended on the chemical label
- **EXERCISE EXTRA CAUTION** around children or pets. Pesticides are especially toxic to them. Keep sprayer and spray materials away from them at all times
- **DO NOT MIX OR POUR** chemicals in an enclosed, unvented area
- **DO NOT USE** flammable or corrosive chemicals in the sprayer
- **FLUSH** the sprayer with clean water after every use AND before switching chemicals
- **STORE** pesticides in a correctly labeled container and in a secure location
- **MONITOR** the health of operators frequently exposed to pesticides, as recommended by the chemical label or local/federal regulations



Chemical Application Safety

- **INSPECT** and **PREPARE** sprayer before each use as directed
- **DO NOT TURN ON POWER** to sprayer until ready to spray in order to avoid unintended spray release
- **MAKE SURE NOZZLES ARE ORIENTED IN THE PROPER DIRECTION** before starting the sprayer. As incorrectly positioned nozzle may spray chemicals on you or others
- **KEEP** sprayer and spray materials away from children and pets. Pesticides can be especially toxic to children and animals



Pump Safety Precautions

- Never pump flammable or explosive fluids such as gasoline, fuel oil, kerosene, etc.
- Never pump acids (i.e. acid fertilizer) with super rollers. For acid fertilizer, Hypro recommends the Silver Series castings with Teflon rollers
- Never run the pump dry! Never pump faster than, or above, the maximum recommended speed and pressure
- Never pump liquids at temperatures higher than the recommended maximum temperature (140° F/60° C). Do not exceed this temperature
- Before servicing your pump, disconnect the power, release all pressure and drain all liquids

Important Operation & Safety Information



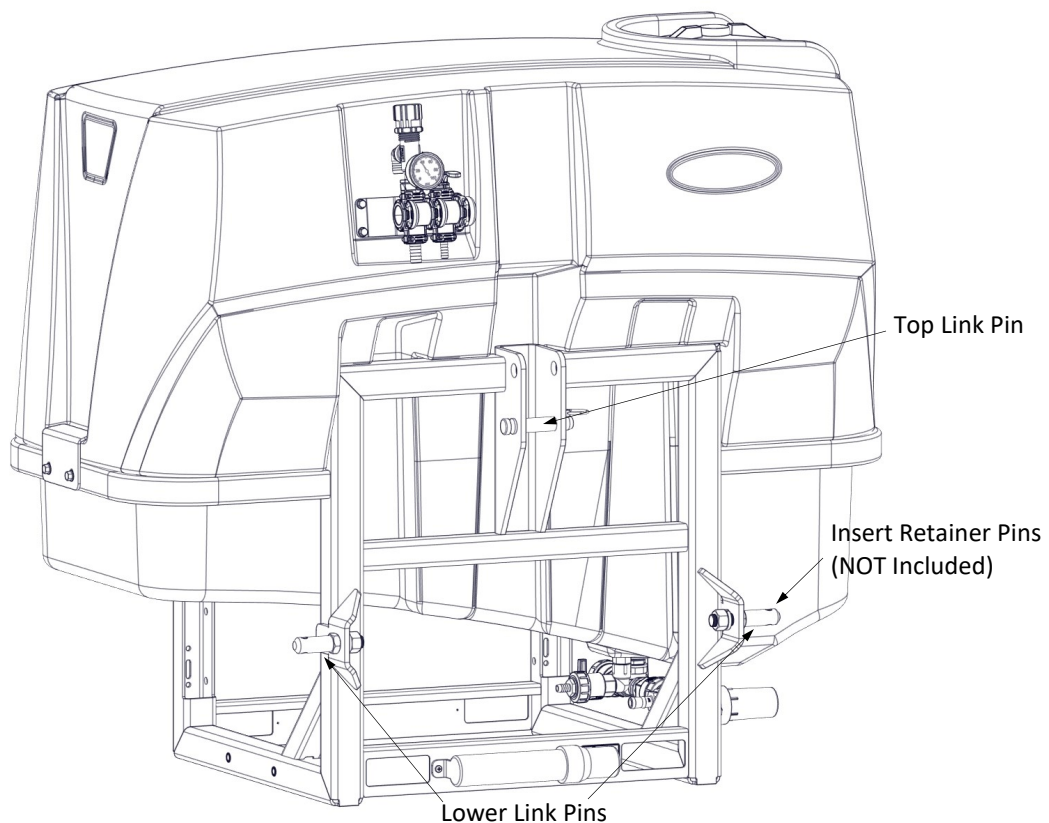
----- Following Operation -----

- Following operation, it is very important that you completely rinse the entire sprayer and all of its components of all chemical residue
- Following operation, stop the tractor unit, set the brakes, disengage PTO shaft, shut off the engine and remove the ignition key
- Park the sprayer on a hard level surface
- Store the sprayer away from human and livestock activity
- Do not permit children to play on or around sprayer

Hooking Up the Sprayer

Your MC Series 3 Point sprayer is designed to allow for Category II 3 Point hitch. The hitch design will fit most brands of 3 Point Quick Tach. The unit comes standard with Category II lower link pins (1 1/8") and top link pin (1"). Once the lower link arms of the tractor are connected to the MC lower pins, install 3/8"-7/16" retainer pins (NOT Included) to hold the lower arms in place.

If using a CAT II Quick Tach: bushings should be added (NOT Supplied) to match your Quick Tach System.



Sprayer Boom Controls

Familiarize yourself with the sprayer controls before use. Your sprayer may be equipped with manual or electric (optional) boom controls.

If your sprayer is equipped with the manual lever controls:

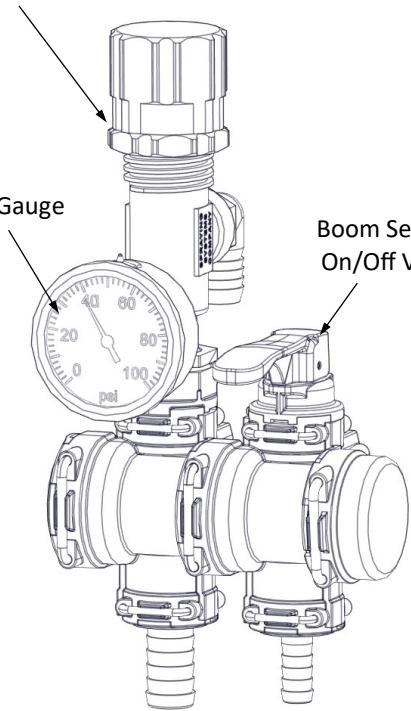
- Boom Section On/Off Valve--OFF when the lever is down or in the horizontal position, it is ON when the lever is up or in the vertical position.
- Pressure Relief/Regulating Valve. - loosen the jam nut and screw the knob down to increase pressure and up to decrease pressure. Once desired pressure is obtained, tighten jam nut.
- Pressure Gauge - Monitor sprayer pressure. DO NOT exceed 100psi. Exceeding 100psi can cause premature gauge failure.



Pressure Relief/Regulating Valve

Pressure Gauge

Boom Section On/Off Valve



If your sprayer is equipped with electric controls:

Determine the best location for the control box in the vehicle cab, according to the following guidelines:

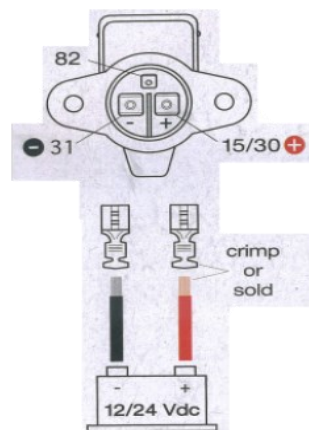
- Switches should be within easy reach
- Controller bracket should rest on a flat surface
- 12 volt DC power source must be accessible.



The Electric Control Kit power cord comes with a 3 pin convenience plug. If your Tractor is not equipped with that type power plug, a Socket 25A is included in the kit.

The Socket 25A plug will have to be wired into the tractor.

See Socket 25A Wiring Diagram to the right for wiring details



Socket 25A Wiring Diagram



Socket 25A

Calibrating the Sprayer

When spraying with a boom, the sprayer must be calibrated to ensure proper spray coverage and to combat over-application or under application. Before calibrating the sprayer, it is important to familiarize yourself with the operating instructions. The calibration process is simplified when broken down into the following three steps:

1. Determine the speed of the tractor
2. Determine the nozzle size and use the calibration chart to find the correct pressure setting
3. Set the pressure accordingly using the pressure regulating valve

Note: All calibration must be done with clean water only!

Note: it is helpful for future references to record the exact RPM and gear that was used to attain the desired speed

Tractor RPM	Tractor Gear =	Speed
_____	_____	_____

1. Determining the Speed

It is important to determine what speed the tractor will be traveling at, while spraying. While some tractors have speedometers, it is still recommended that speed is calculated for all tractors for accuracy purposes. To determine the speed follow these steps:

1. Set the tractor throttle to operate between 75%-100% of the tractor's RPM range. This will allow the pump to operate at full volume
2. Measure a 200 foot or 300 foot distance on a field or a surface similar to where you will be spraying
3. Drive the tractor and sprayer (tank half-full is optimal) across the measured distance at a constant rate of speed. There should be no changes in speed while you are measuring the time. This should be a comfortable speed for spraying
4. Have someone measure the amount of time (in seconds) it takes to travel the measured distance
5. Your speed can be found by entering your data into the equation below or by consulting the speed table

$$\text{Speed (MPH)} = (\text{Distance (FT)} \times 60) / (\text{Time (Seconds)} \times 88)$$

$$\text{_____ (MPH)} = \text{_____ (FT)} \times 60 / \text{_____ (SEC)} \times 88$$

Note: When calculating tractor speed be sure to select a gear that allows the tractor to operate between 75%-100% of the tractor's RPM range. This will allow the pump to operate at full volume. Selecting a higher gear will not allow the pump to work efficiently.

Speed Chart			
Speed in M.P.H. (Miles Per Hour)	Time Required in seconds to travel a distance of		
	100 Ft.	200 Ft.	300 Ft.
1.0	68 sec.	136	205
2.0	34	68	102
3.0	23	45	68
4.0	17	34	51
5.0	14	27	41
6.0	11	23	34
7.0	9.7	19	29
8.0	8.5	17	26
9.0	7.6	15	23
10.0	6.8	14	20

Calibrating the Sprayer

2. Determine the nozzle size and use the calibration chart

Always follow the chemical manufacturers label recommendations for application rate (GPA). There are five things you will need to know to be able to figure your nozzle size and pressure setting. They are:

1. Application rate — GPA or GAL/1000 Sq. Ft.
2. Speed — MPH
3. Width — Nozzle Spacing (in inches) for broadcast boom spraying
— Spray width (in inches) for boomless nozzles
4. Spraying Pressure — Follow chemical label recommendations for pressure/droplet size requirements
5. Solution weight and conversion factor (CF)

Spraying Solutions Other than Water

Since all the tabulations are based on spraying water, which weighs 8.34 lbs. per USA gallon, conversion factors must be used when spraying solutions which are heavier or lighter than water. To determine the proper size nozzle for the solution to be sprayed, first multiply the desired GPM or GPA of solution by the rate conversion factor. Then use the new converted GPM or GPA rate to select the proper size nozzle and pressure.

Example: Desired application rate is 20 GPA of 28% Nitrogen. Determine the correct nozzle size as follows:

GPA (Solution) x Conversion Factor = Converted GPA

20 GPA (28% x 1.13 = 22.6 GPA (Water), the applicator should choose a nozzle size that will supply 22.6 GPA of water at the desired pressure.

See the appropriate **Application Chart** for your boom spraying nozzle or boomless nozzle. Using the tractor speed, nozzle width or spray width, nozzle size being used and desired gallons per acre (GPA), find the pressure (psi) necessary to achieve the desired GPA.

Weight of Solution	Specific Gravity	Conversion Factors
7.0 lbs. per gallon	.84	.92
8.0 lbs. per gallon	.96	.98
8.345 lbs. per gallon (Water)	1.00	1.00
9.0 lbs. per gallon	1.08	1.04
10.0 lbs. per gallon	1.20	1.10
10.66 lbs. per gallon (28% Nitrogen)	1.28	1.13
11.0 lbs. per gallon	1.32	1.15
12.0 lbs. per gallon	1.44	1.20
14.0 lbs. per gallon	1.68	1.30

Example for traditional boom sprayer: Assume you have found your tractor speed to be 6 MPH, your nozzle spacing is 20", and you want to spray 15 GPA and your sprayer has blue AIXR11003VP nozzles. Upon looking at the application chart, you will find that you should set the sprayer's pressure at about 40 psi in order to apply about 15 GPA.

Example for boomless sprayer: Assume you have found your tractor speed to be 5 MPH, your nozzle will cover 216 inches (18 Ft) mounted 48" height above the target spray zone, and you will want to spray 15 GPA and your sprayer has yellow XT024 nozzles. Upon looking at the application chart, you will find that you should set the sprayer's pressure at about 50 psi in order to apply about 15 GPA.

Useful Formulas

$$\text{GPM (Per Nozzle)} = \frac{\text{GPA} \times \text{MPH} \times \text{W}}{5,940}$$

$$\text{GPM (Per Nozzle)} = \frac{\text{GAL}/1000 \text{ Sq. Ft.} \times \text{MPH} \times \text{W}}{136}$$

GPM — Gallons Per Minute

GPA — Gallons Per Acre

GAL/1000 Sq. Ft. — Gallons Per 1000 Square Feet

MPH — Miles Per Hour

W — Nozzle Spacing (in inches) for broadcast spraying
— Spray width (in inches) for single nozzle, Band spraying or Boomless spraying

Calibrating the Sprayer

3. Adjusting the Sprayer Pressure

Once you have found the correct pressure (psi) setting, you must now adjust the sprayer to that pressure setting. Before you adjust the sprayer's pressure, it is important to follow these steps:

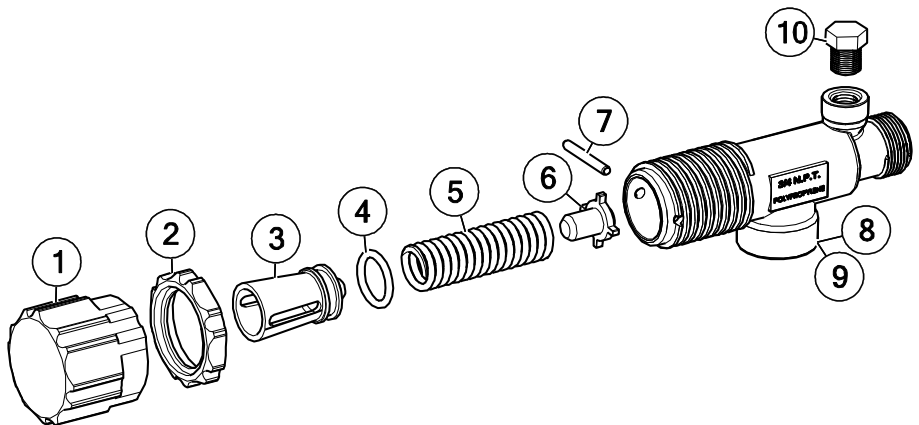
1. Make sure the sprayer tank is at least half full of clean water and the tank supply shutoff valve to the pump is open.
2. Make sure the pressure relief valve is backed out so at least 4 threads are showing. If not, loosen the jam nut and screw the knob out until at least 4 threads can be seen.
3. Make sure the valves to the agitator are open, if equipped.
4. With the booms on, idle tractor and engage the tractor PTO to start the pump. Slowly increase tractor RPM, paying attention to the sprayer pressure gauge. **(Do NOT spike the sprayer pressure gauge)**. If you over pressurize the spray system you can damage the pressure gauge and sprayer plumbing. Increase the tractor's RPM until you reach RPM that was used to set the tractor's speed.
5. Adjust the pressure relief valve to reach your desired psi for your speed and GPA. This is achieved by loosening the jam nut on the pressure relief valve and screwing the knob in to increase pressure and out to decrease pressure. Once you have reached your desired pressure, tighten the jam nut to lock the pressure control knob. If you can not achieve enough pressure, slowly close the agitation valve. Tighten the valve nut to lock the agitation valve, if equipped.

You have successfully calibrated the sprayer.

PISTON TYPE PRESSURE RELIEF/REGULATING VALVE

Bypasses excess liquid. Adjustable to maintain control of line pressure at any pressure within the valve operating range. Selected pressure setting firmly held in place by locknut. Extra large passages to handle large flows.

- Polypropylene with stainless steel spring
- Excellent chemical resistance
- EPDM O-Rings
- For pressure to 150 p.s.i.
- 1/4" port for pressure gauge
- 3/4" NPT (M) inlet & (F) outlet connections

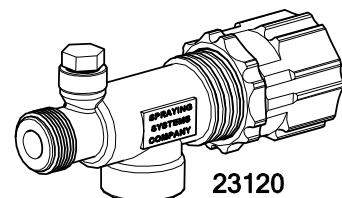


Ref. #	Part #	Mfg. Part #	Description	Qty
1	5046270	CP23122-NY	Adjusting Cap, Nylon (Gray)	1
2	5110266	CP23123-PP	Lock Ring	1
3	◆◆	CP23124-PP	Spring Retainer	1
4	**	CP7717-15-EPR	O-Ring, EPDM Rubber	1
5	**	CP23127-302SS	Spring	1
6	◆◆	CP23125-PP	Guide Seat	1
7	**	CP23126-302SS	Retaining Pin	1
8	CP23121-PP	CP23121-PP	Poly Body (3/4" NPT)	1
9	CP23128-PP	CP23128-PP	Poly Body (1/2" NPT)	1
10	5102022	F14	Pipe Plug, 1/4" MNPT	1

Fimco #	Mfg. Part #	Description
5143199	23120-3/4-PP	Pressure Relief Valve (3/4" NPT)
5143200	23120-1/2-PP	Pressure Relief Valve (1/2" NPT)
5168717	PK-AB23120-KIT	Repair Kit, Items Marked **

** Available only in Repair Kit

☒☒ Only Available in Complete Assembly



Calibrating the Sprayer

Calibration Chart

There are many different sizes and styles of spray tips available to meet your spraying needs. If you need further information, please contact an Ag Spray Service Center for assistance.

Please Note: Flow rates are calculated using fresh water.

Always remember to double check application rates.

Boomless Nozzle Application

Hypro Boom X Tender Boomless Nozzles



Nozzle Size (MNPT)	Pressure (PSI)	Flow Rate (GPM)	Gallons per Acre								GAL/1000 Sq. Ft.				Swath (Ft) at 40 PSI 48" High
			MPH								MPH				
			4	5	6	8	10	12	15	20	2	3	4	5	
10 (1/4")	30	0.9	8.9	7.1	5.9	4.5	3.6	3.0	2.4	1.8	0.41	0.27	0.20	0.16	13
	40	1.0	9.9	7.9	6.6	5.0	4.0	3.3	2.6	2.0	0.45	0.30	0.23	0.18	
	50	1.1	10.9	8.7	7.3	5.4	4.4	3.6	2.9	2.2	0.50	0.33	0.25	0.20	
	60	1.2	11.9	9.5	7.9	5.9	4.8	4.0	3.2	2.4	0.55	0.36	0.27	0.22	
15 (1/4")	30	1.3	10.9	8.7	7.3	5.4	4.4	3.6	2.9	2.2	0.53	0.35	0.26	0.21	14
	40	1.5	12.5	10.0	8.3	6.3	5.0	4.2	3.4	2.5	0.61	0.41	0.30	0.24	
	50	1.7	13.7	11.0	9.2	6.9	5.5	4.6	3.7	2.8	0.67	0.45	0.33	0.27	
20 (1/4")	30	1.7	13.6	10.9	9.0	6.8	5.4	4.5	3.6	2.7	0.62	0.42	0.31	0.25	15
	40	2.0	16.0	12.8	10.6	8.0	6.4	5.3	4.3	3.2	0.73	0.49	0.37	0.29	
	50	2.2	17.6	14.1	11.7	8.8	7.0	5.9	4.7	3.5	0.81	0.54	0.40	0.32	
	60	2.4	19.2	15.3	12.8	9.6	7.7	6.4	5.1	3.8	0.88	0.59	0.44	0.35	
24 (1/4")	30	2.1	16.2	13.0	10.8	8.1	6.5	5.4	4.3	3.2	0.75	0.50	0.37	0.30	16
	40	2.4	18.6	14.9	12.4	9.3	7.4	6.2	5.0	3.7	0.85	0.57	0.43	0.34	
	50	2.7	20.9	16.7	13.9	10.4	8.4	7.0	5.6	4.2	0.96	0.64	0.48	0.38	
	60	2.9	22.4	17.9	15.0	11.2	9.0	7.5	6.0	4.5	1.03	0.69	0.51	0.41	
43 (3/8")	30	3.7	31.6	25.3	21.1	15.8	12.6	10.5	8.4	6.3	1.45	0.97	0.72	0.58	14
	40	4.3	36.7	29.4	24.5	18.3	14.7	12.2	9.8	7.3	1.68	1.12	0.75	0.67	
	50	4.8	41.0	32.8	27.3	20.5	16.4	13.7	10.9	8.2	1.88	1.25	0.94	0.75	
	60	5.3	45.2	36.2	30.2	22.6	18.1	15.1	12.1	9.0	2.08	1.38	1.04	0.83	
80 (1/2")	30	6.9	68.3	54.6	45.5	34.2	27.3	22.8	18.2	13.7	3.14	2.09	1.57	1.25	13
	40	8.0	79.2	63.4	52.8	39.6	31.7	26.4	21.1	15.8	3.64	2.42	1.82	1.45	
	50	8.9	88.1	70.5	58.7	44.1	35.2	29.4	23.5	17.6	4.04	2.70	2.02	1.62	
	60	9.8	97.0	77.6	64.7	48.5	38.8	32.3	25.9	19.4	4.45	2.97	2.23	1.78	
167 (3/4")	30	14.5	128.0	103.0	85.4	64.1	51.3	42.7	34.2	25.6	5.88	3.92	2.94	2.35	15
	40	16.7	148.0	118.0	98.4	73.8	59.0	49.2	39.4	29.5	6.78	4.52	3.39	2.71	
	50	18.7	165.0	132.0	110.0	82.6	66.1	55.1	44.1	33.1	7.59	5.06	3.79	3.03	
	60	20.5	181.0	145.0	121.0	90.6	72.5	60.4	48.3	36.2	8.32	5.54	4.16	3.33	
215 (3/4")	30	18.6	144.0	115.0	95.9	71.9	57.5	48.0	38.4	28.8	6.60	4.40	3.30	2.64	16
	40	21.5	166.0	133.0	111.0	83.1	66.5	55.4	44.3	33.3	7.63	5.09	3.82	3.05	
	50	24.0	186.0	149.0	124.0	92.8	74.3	61.9	49.5	37.1	8.52	5.68	4.26	3.41	
	60	26.3	203.0	163.0	136.0	102.0	81.4	67.8	54.2	40.7	9.34	6.22	4.67	3.73	

NOTE: Application rates are based on overall swath widths listed at 48" height. Refer to operating instructions if using a different swath.

HAMILTON BOOMLESS NOZZLES



Operating Data for 1800 Nozzles								
Orifice No.	PSI	GPM 180°	Swath 180°	Gallons per Acre				
				3 MPH	4 MPH	5 MPH	8 MPH	10 MPH
#5	30	1.7	44'	6.4	4.8	3.8	2.4	1.9
	40	2.0	46'	7.2	5.4	4.3	2.7	2.2
	50	2.2	48'	7.6	5.7	4.5	2.9	2.3
	60	2.4	50'	7.9	5.9	4.8	3.0	2.4
#10	30	3.7	50'	12.2	9.2	7.3	4.6	3.7
	40	4.2	50'	13.9	10.4	8.3	5.2	4.2
	50	4.6	52'	14.6	10.9	8.8	5.5	4.4
	60	5.0	52'	15.8	11.9	9.5	5.9	4.8
#20	30	5.1	54'	15.6	11.6	9.3	5.8	4.7
	40	5.9	54'	18.0	13.5	10.8	6.8	5.4
	50	6.7	56'	19.7	14.8	11.8	7.4	5.9
	60	7.1	58'	20.2	15.1	12.1	7.6	6.1

NOTE: 90° nozzles have the same GPA, but 1/2 GPM and swath

Calibrating the Sprayer

BROADCAST & TURF APPLICATION CHART—20" SPACING

Nozzle Size	Pressure (PSI)	Flow Rate (GPM)	Gallons per Acre 20-inch Nozzle Spacing										GAL/1000 Sq. Ft. 20-inch Nozzle Spacing				
			MPH										MPH				
			4	5	6	7	8	10	12	14	16	18	20	2	3	4	5
01	15	0.06	4.5	3.6	3.0	2.5	2.2	1.8	1.5	1.3	1.1	1.0	0.9	0.20	0.14	1.00	0.08
	30	0.09	6.7	5.3	4.5	3.8	3.3	2.7	2.2	1.9	1.7	1.5	1.3	0.31	0.20	0.15	0.12
	40	0.10	7.4	5.9	5.0	4.2	3.7	3.0	2.5	2.1	1.9	1.7	1.5	0.34	0.23	0.17	0.14
	60	0.12	8.9	7.1	5.9	5.1	4.5	3.6	3.0	2.5	2.2	2.0	1.8	0.41	0.27	0.20	0.16
	80	0.14	10.4	8.3	6.9	5.9	5.2	4.2	3.5	3.0	2.6	2.3	2.1	0.48	0.32	0.24	0.19
	100	0.16	11.9	9.5	7.9	6.8	5.9	4.8	4.0	3.4	3.0	2.6	2.4	0.55	0.36	0.27	0.22
115	0.17	12.6	10.1	8.4	7.2	6.3	5.0	4.2	3.6	3.2	2.8	2.5	0.58	0.39	0.29	0.23	
015	15	0.09	6.7	5.3	4.5	3.8	3.3	2.7	2.2	1.9	1.7	1.5	1.3	0.31	0.20	0.15	0.12
	30	0.13	9.7	7.7	6.4	5.5	4.8	3.9	3.2	2.8	2.4	2.1	1.9	0.44	0.30	0.22	0.18
	40	0.15	11.1	8.9	7.4	6.4	5.6	4.5	3.7	3.2	2.8	2.5	2.2	0.51	0.34	0.26	0.20
	60	0.18	13.4	10.7	8.9	7.6	6.7	5.3	4.5	3.8	3.3	3.0	2.7	0.61	0.41	0.31	0.25
	80	0.21	15.6	12.5	10.4	8.9	7.8	6.2	5.2	4.5	3.9	3.5	3.1	0.72	0.48	0.36	0.29
	100	0.24	17.8	14.3	11.9	10.2	8.9	7.1	5.9	5.1	4.5	4.0	3.6	0.82	0.55	0.41	0.33
115	0.25	18.6	14.9	12.4	10.6	9.3	7.4	6.2	5.3	4.6	4.1	3.7	0.85	0.57	0.43	0.34	
02	15	0.12	8.9	7.1	5.9	5.1	4.5	3.6	3.0	2.5	2.2	2.0	1.8	0.41	0.27	0.20	0.16
	30	0.17	12.6	10.1	8.4	7.2	6.3	5.0	4.2	3.6	3.2	2.8	2.5	0.58	0.39	0.29	0.23
	40	0.20	14.9	11.9	9.9	8.5	7.4	5.9	5.0	4.2	3.7	3.3	3.0	0.68	0.45	0.34	0.27
	60	0.24	17.8	14.3	11.9	10.2	8.9	7.1	5.9	5.1	4.5	4.0	3.6	0.82	0.55	0.41	0.33
	80	0.28	20.8	16.6	13.9	11.9	10.4	8.3	6.9	5.9	5.2	4.6	4.2	0.95	0.64	0.48	0.38
	100	0.32	23.8	19.0	15.8	13.6	11.9	9.5	7.9	6.8	5.9	5.3	4.8	1.09	0.73	0.55	0.44
115	0.34	25.2	20.2	16.8	14.4	12.6	10.1	8.4	7.2	6.3	5.6	5.0	1.16	0.77	0.58	0.46	
025	15	0.15	11.1	8.9	7.4	6.4	5.6	4.5	3.7	3.2	2.8	2.5	2.2	0.51	0.34	0.26	0.20
	30	0.22	16.3	13.1	10.9	9.3	8.2	6.5	5.4	4.7	4.1	3.6	3.3	0.75	0.50	0.38	0.30
	40	0.25	18.6	14.9	12.4	10.6	9.3	7.4	6.2	5.3	4.6	4.1	3.7	0.85	0.57	0.43	0.34
	60	0.31	23.0	18.4	15.3	13.2	11.5	9.2	7.7	6.6	5.8	5.1	4.6	1.06	0.70	0.53	0.42
	80	0.35	26.0	20.8	17.3	14.9	13.0	10.4	8.7	7.4	6.5	5.8	5.2	1.19	0.80	0.60	0.48
	100	0.40	29.7	23.8	19.8	17.0	14.9	11.9	9.9	8.5	7.4	6.6	5.9	1.36	0.91	0.68	0.55
115	0.42	31.2	24.9	20.8	17.8	15.6	12.5	10.4	8.9	7.8	6.9	6.2	1.43	0.95	0.72	0.57	
03	15	0.18	13.4	10.7	8.9	7.6	6.7	5.3	4.5	3.8	3.3	3.0	2.7	0.61	0.41	0.31	0.25
	30	0.26	19.3	15.4	12.9	11.0	9.7	7.7	6.4	5.5	4.8	4.3	3.9	0.89	0.59	0.44	0.35
	40	0.30	22.3	17.8	14.9	12.7	11.1	8.9	7.4	6.4	5.6	5.0	4.5	1.02	0.68	0.51	0.41
	60	0.37	27.5	22.0	18.3	15.7	13.7	11.0	9.2	7.8	6.9	6.1	5.5	1.26	0.84	0.63	0.50
	80	0.42	31.2	24.9	20.8	17.8	15.6	12.5	10.4	8.9	7.8	6.9	6.2	1.43	0.95	0.72	0.57
	100	0.47	34.9	27.9	23.3	19.9	17.4	14.0	11.6	10.0	8.7	7.8	7.0	1.60	1.07	0.80	0.64
115	0.51	37.9	30.3	25.2	21.6	18.9	15.1	12.6	10.8	9.5	8.4	7.6	1.74	1.16	0.87	0.70	
035	15	0.21	15.6	12.5	10.4	8.9	7.8	6.2	5.2	4.5	3.9	3.5	3.1	0.72	0.48	0.36	0.29
	30	0.30	22.3	17.8	14.9	12.7	11.1	8.9	7.4	6.4	5.6	5.0	4.5	1.02	0.68	0.51	0.41
	40	0.35	26.0	20.8	17.3	14.9	13.0	10.4	8.7	7.4	6.5	5.8	5.2	1.19	0.80	0.60	0.48
	60	0.43	31.9	25.5	21.3	18.2	16.0	12.8	10.6	9.1	8.0	7.1	6.4	1.47	0.98	0.73	0.59
	80	0.49	36.4	29.1	24.3	20.8	18.2	14.6	12.1	10.4	9.1	8.1	7.3	1.67	1.11	0.84	0.67
	100	0.55	40.8	32.7	27.2	23.3	20.4	16.3	13.6	11.7	10.2	9.1	8.2	1.88	1.25	0.94	0.75
115	0.59	43.8	35.0	29.2	25.0	21.9	17.5	14.6	12.5	11.0	9.7	8.8	2.01	1.34	1.01	0.80	
04	15	0.24	17.8	14.3	11.9	10.2	8.9	7.1	5.9	5.1	4.5	4.0	3.6	0.82	0.55	0.41	0.33
	30	0.35	26.0	20.8	17.3	14.9	13.0	10.4	8.7	7.4	6.5	5.8	5.2	1.19	0.80	0.60	0.48
	40	0.40	29.7	23.8	19.8	17.0	14.9	11.9	9.9	8.5	7.4	6.6	5.9	1.36	0.91	0.68	0.55
	60	0.49	36.4	29.1	24.3	20.8	18.2	14.6	12.1	10.4	9.1	8.1	7.3	1.67	1.11	0.84	0.67
	80	0.57	42.3	33.9	28.2	24.2	21.2	16.9	14.1	12.1	10.6	9.4	8.5	1.94	1.30	0.97	0.78
	100	0.63	46.8	37.4	31.2	26.7	23.4	18.7	15.6	13.4	11.7	10.4	9.4	2.15	1.43	1.07	0.86
115	0.68	50.5	40.4	33.9	28.9	25.2	20.2	16.8	14.4	12.6	11.2	10.1	2.32	1.55	1.16	0.93	
05	15	0.31	23.0	18.4	15.3	13.2	11.5	9.2	7.7	6.6	5.8	5.1	4.6	1.06	0.70	0.53	0.42
	30	0.43	31.9	25.5	21.3	18.2	16.0	12.8	10.6	9.1	8.0	7.1	6.4	1.47	0.98	0.73	0.59
	40	0.50	37.1	29.7	24.8	21.2	18.6	14.9	12.4	10.6	9.3	8.3	7.4	1.71	1.14	0.85	0.68
	60	0.61	45.3	36.2	30.2	25.9	22.6	18.1	15.1	12.9	11.3	10.1	9.1	2.08	1.39	1.04	0.83
	80	0.71	52.7	42.2	35.1	30.1	26.4	21.1	17.6	15.1	13.2	11.7	10.5	2.42	1.61	1.21	0.97
	100	0.79	58.7	46.9	39.1	33.5	29.3	23.5	19.6	16.8	14.7	13.0	11.7	2.69	1.80	1.35	1.08
115	0.85	63.1	50.5	42.1	36.1	31.6	25.2	21.0	18.0	15.8	14.0	12.6	2.90	1.93	1.45	1.16	
06	15	0.37	27.5	22.0	18.3	15.7	13.7	11.0	9.2	7.8	6.9	6.1	5.5	1.26	0.84	0.63	0.50
	30	0.52	38.6	30.9	25.7	22.1	19.3	15.4	12.9	11.0	9.7	8.6	7.7	1.77	1.18	0.89	0.71
	40	0.60	44.6	35.6	29.7	25.5	22.3	17.8	14.9	12.7	11.1	9.9	8.9	2.05	1.36	1.02	0.82
	60	0.73	54.2	43.4	36.1	31.0	27.1	21.7	18.1	15.5	13.6	12.0	10.8	2.49	1.66	1.24	1.00
	80	0.85	63.1	50.5	42.1	36.1	31.6	25.2	21.0	18.0	15.8	14.0	12.6	2.90	1.93	1.45	1.16
	100	0.95	70.5	56.4	47.0	40.3	35.3	28.2	23.5	20.2	17.6	15.7	14.1	3.24	2.16	1.62	1.30
115	1.02	75.7	60.6	50.5	43.3	37.9	30.3	25.2	21.6	18.9	16.8	15.1	3.48	2.32	1.74	1.39	
08	15	0.49	36.4	29.1	24.3	20.8	18.2	14.6	12.1	10.4	9.1	8.1	7.3	1.67	1.11	0.84	0.67
	30	0.69	51.2	41.0	34.2	29.3	25.6	20.5	17.1	14.6	12.8	11.4	10.2	2.35	1.57	1.18	0.94
	40	0.80	59.4	47.5	39.6	33.9	29.7	23.8	19.8	17.0	14.9	13.2	11.9	2.73	1.82	1.36	1.09
	60	0.98	72.8	58.2	48.5	41.6	36.4	29.1	24.3	20.8	18.2	16.2	14.6	3.34	2.23	1.67	1.34
	80	1.13	83.9	67.1	55.9	47.9	42.0	33.6	28.0	24.0	21.0	18.6	16.8	3.85	2.57	1.93	1.54
	100	1.26	93.6	74.8	62.4	53.5	46.8	37.4	31.2	26.7	23.4	20.8	18.7	4.30	2.86	2.15	1.72
115	1.36	101.0	80.8	67.3	57.7	50.5	40.4	33.7	28.9	25.2	22.4	20.2	4.64	3.09	2.32	1.86	
010	15	0.61	45.3	36.2	30.2	25.9	22.6	18.1	15.1	12.9	11.3	10.1	9.1	2.08	1.39	1.04	0.83
	30	0.87	64.6	51.7	43.1	36.9	32.3	25.8	21.5	18.5	16.1	14.4	12.9	2.97	1.98	1.48	1.19
	40	1.00	74.3	59.4	49.5	42.4	37.1	29.7	24.8	21.2	18.6	16.5	14.9	3.41	2.27	1.71	1.36
	60	1.22	90.6	72.5	60.4	51.8	45.3	36.2	30.2	25.9	22.6	20.1	18.1	4.16	2.77	2.08	1.66
	80	1.41	104.7	83.8	69.8	59.8	52.3	41.9	34.9	29.9	26.2	23.3	20.9	4.81	3.21	2.40	1.92
	100	1.58	117.3	93.9	78.2	67.0	58.7	46.9	39.1	33.5	29.3	26.1	23.5	5.39	3.59	2.69	2.16
115	1.70	126.2	101.0	84.2	72.1	63.1	50.5	42.1	36.1	31.6	28.1	25.2	5.80	3.86	2.90	2.32	
015	15	0.92	68.3	54.6	45.5	39.0	34.2	27.3	22.8	19.5	17.1	15.2	13.7	3.14	2.09	1.57	1.25
	30	1.30	96.5	7													

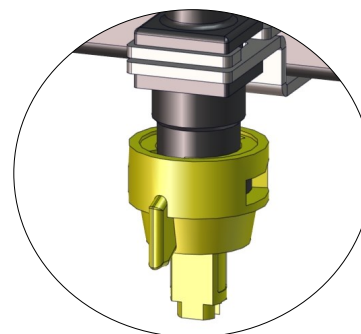
Calibrating the Sprayer

- 110° wide, tapered flat spray angle with air induction technology for better drift management
- Made of 2-piece UHMWPE polymer construction which provides excellent chemical resistance, including acids, as well as exceptional wear life
- Compact size to prevent tip damage
- Excellent for systemic products and drift management

AIXR11002VP Nozzles

AIXR11002VP Spray Tip Rate Chart (20" Spacing)

	Pressure (psi)	Capacity (GPM)	1 MPH	2 MPH	3 MPH	4 MPH	5 MPH	6 MPH	8 MPH
Gallons Per Acre Based on Water	15	.12	35.6	17.8	11.8	8.9	7.1	5.9	4.5
	20	.14	41.6	20.8	13.8	10.4	8.3	6.9	5.2
	30	.17	50.4	25.2	16.8	12.6	10.1	8.4	6.3
	40	.20	59.6	29.8	19.8	14.9	11.9	9.9	7.4
Gallons Per 1000 Sq. Ft. Based on Water	15	.12		.41	.27	.20	.16		
	20	.14		.48	.32	.24	.19		
	30	.17		.58	.39	.29	.23		
	40	.20		.68	.45	.34	.27		

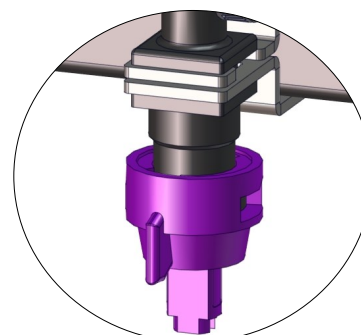


Based on the minimum overlap required to obtain uniform distribution with 110° tips and 20" spacing. Suggested Minimum Spray Height: 16"-18" above what is being sprayed (to plant, not ground). Optimum Spray Height: 20"

AIXR110025VP Nozzles

AIXR110025VP Spray Tip Rate Chart (20" Spacing)

	Pressure (psi)	Capacity (GPM)	2 MPH	3 MPH	4 MPH	5 MPH	6 MPH	8 MPH	10 MPH
Gallons Per Acre Based on Water	15	.15			11.1	8.9	7.4	5.6	4.5
	20	.18			13.4	10.7	8.9	6.7	5.3
	30	.22			16.3	13.1	10.9	8.2	6.5
	40	.25			18.6	14.9	12.4	9.3	7.4
Gallons Per 1000 Sq. Ft. Based on Water	15	.15	0.51	0.34	0.26	0.20			
	20	.18	0.61	0.41	0.31	0.24			
	30	.22	0.75	0.50	0.37	0.30			
	40	.25	0.85	0.57	0.43	0.34			

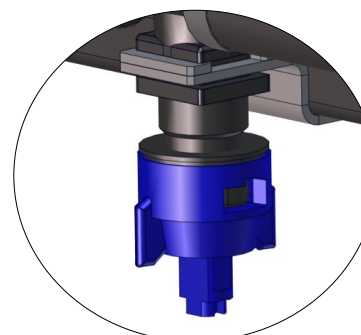


Based on the minimum overlap required to obtain uniform distribution with 110° tips and 20" spacing. Suggested Minimum Spray Height: 16"-18" above what is being sprayed (to plant, not ground). Optimum Spray Height: 20"

AIXR11003VP Nozzles

AIXR11003VP Spray Tip Rate Chart (20" Spacing)

	Pressure (psi)	Capacity (GPM)	1 MPH	2 MPH	3 MPH	4 MPH	5 MPH	6 MPH	8 MPH
Gallons Per Acre Based on Water	15	.18	53.6	26.8	17.8	13.4	10.7	8.9	6.7
	20	.21	62.4	31.2	20.8	15.6	12.5	10.4	7.8
	30	.26	77.2	38.6	25.8	19.3	15.4	12.9	9.7
	40	.30	88.0	44.0	29.8	22.0	17.8	14.9	11.1
Gallons Per 1000 Sq. Ft. Based on Water	15	.18		.61	.41	.31	.24		
	20	.21		.71	.48	.36	.29		
	30	.26		.88	.59	.44	.35		
	40	.30		1.0	.68	.51	.41		



Based on the minimum overlap required to obtain uniform distribution with 110° tips and 20" spacing. Suggested Minimum Spray Height: 16"-18" above what is being sprayed (to plant, not ground). Optimum Spray Height: 20"

Operating Instructions

Before operating the sprayer, it is important that you read this entire manual and know all the safety precautions. Always take your time and be alert when operating your sprayer. This will allow you to safely spray without accident or interruption.

Spraying with the Boom

1. Calibrate the sprayer using the calibration instructions and application charts. This will determine what pressure to spray at in order to achieve the desired Gallons per Acre (GPA).
2. Connect the PTO coupler and torque bar to the tractor.
3. Fill the tank with some water in order to set the pressure and test for leaks.
4. Prepare the sprayer for spraying. Open the ball valve on the suction line, make sure the boom valves are off and make sure the spray gun is closed (if applicable).
5. Start the tractor and engage the pump. The tractor should be running at the RPM rate determined when you calibrated your sprayer. Ensure that the pump is primed and that there are no leaks in any of the lines.
6. Using the relief valve (manual controls), or pressure adjustment switch (electric controls), adjust the sprayers pressure to the pressure rating found when you calibrated your sprayer. You may need to readjust the pressure when you open the boom control valves.
7. You may now fill the tank with the amount of water and chemicals recommended by the chemical manufacturer. Before filling the tank make sure the pump is disengaged.
8. After filling the tank, engage the pump and allow an ample amount of time for the jet agitator to mix the water and chemicals. Note: See chemical instructions for necessary agitation time. You are now ready to begin spraying.
9. Upon arriving at the spraying location, unfold booms (if applicable), engage pump, open the boom control valves and make sure the pressure setting is correct. While spraying always remember to maintain constant level of speed and RPM (rates found when calibrated).

Spraying with the Spray Gun

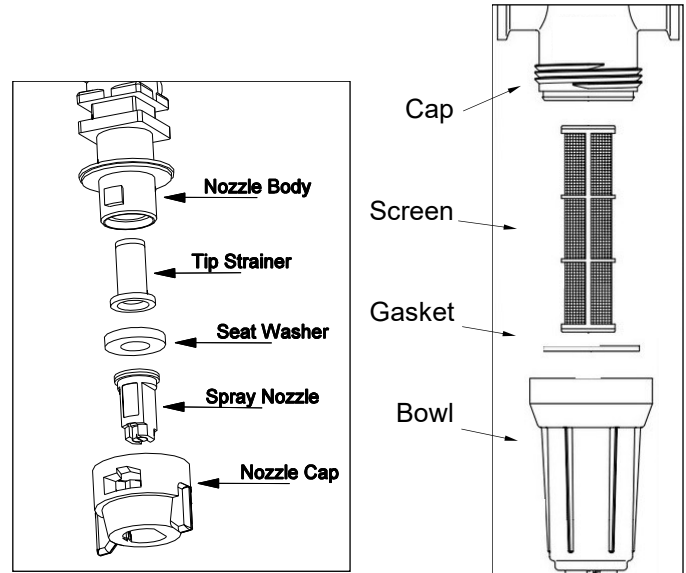
1. Connect the pump's PTO coupler and torque bar.
2. Fill the tank with some water in order to set the pressure and test for leaks.
3. Make sure the spray gun is closed and the booms are off.
4. Start the tractor and engage the pump. Ensure that the pump is primed and that there are no leaks in any of the lines.
5. Adjust the sprayer's pressure using the relief valve to your desired setting. When you open the spray gun, you may need to readjust the pressure.
6. You may now fill the tank with the amount of water and chemicals recommended by the chemical manufacturer. Before filling the tank make sure the pump is disengaged.
7. After filling the tank, engage the pump and allow an ample amount of time for the jet agitator to mix the water and chemicals. Note: See chemical instructions for necessary agitation time. You are now ready to begin spraying.
8. Upon arriving at the spraying location, engage the pump and make sure the pressure setting is correct. Adjust the gun to the desired spray pattern when spraying.

Maintenance Instructions

Routine Maintenance

It is very important to perform routine maintenance on your sprayer before and after each use. Good maintenance practices will help to guard against sprayer breakdowns or accidents.

1. It is recommended to perform a visual and physical inspection for any worn parts, loose bolts or other visible problems. Make all necessary repairs before spraying. Please contact an authorized Ag Spray dealer to order parts or to receive technical help.
2. After each use, it is important to rinse the sprayer and all components by running a good quality tank cleaner (Tank Neutralizer and Cleaner) through the system (if no tank cleaner is available, you may substitute a good grade of dish soap for this step). Turn pump on and circulate through the sprayer for 15 minutes and then spray out through boom and handgun nozzles. Refill sprayer part way with clean fresh water and repeat. Rinsing the sprayer after use will greatly improve the life of the pump and other components.
3. **Failure to properly rinse the sprayer and all components after each use, will void the manufacturer's warranty. Note: All rinsates must be sprayed in field according to chemical regulations!**
4. The screen of the in-line filter on the suction line should be taken out and rinsed. Note: Be careful not to lose the gasket in the filter bowl. The filter will leak without this gasket.
5. Tip strainer (if applicable), should also be taken out and rinsed after each use. Tips strainers are small screens that are located behind each spray nozzle on the boom.



Pump Maintenance

1. Follow all pump safety precautions and warnings. Following these guidelines will help to ensure many years of smooth and trouble-free service.
2. Flush the pump, as directed in routine maintenance, after every use. It is also very important to winterize your pump to prevent freezing and corrosion. Please see Winterizing your Sprayer section below for instructions.
3. After many years of use, you may find that your pump is leaking or has experienced a decrease in performance. You may need to change the seals and rollers. Contact an authorized Ag Spray Dealer for parts and technical support.

Drain the Tank

MC2 Series sprayers are equipped with a drain valve. The valve points towards the back of the sprayer. To drain, close the suction valve and open the drain valve.

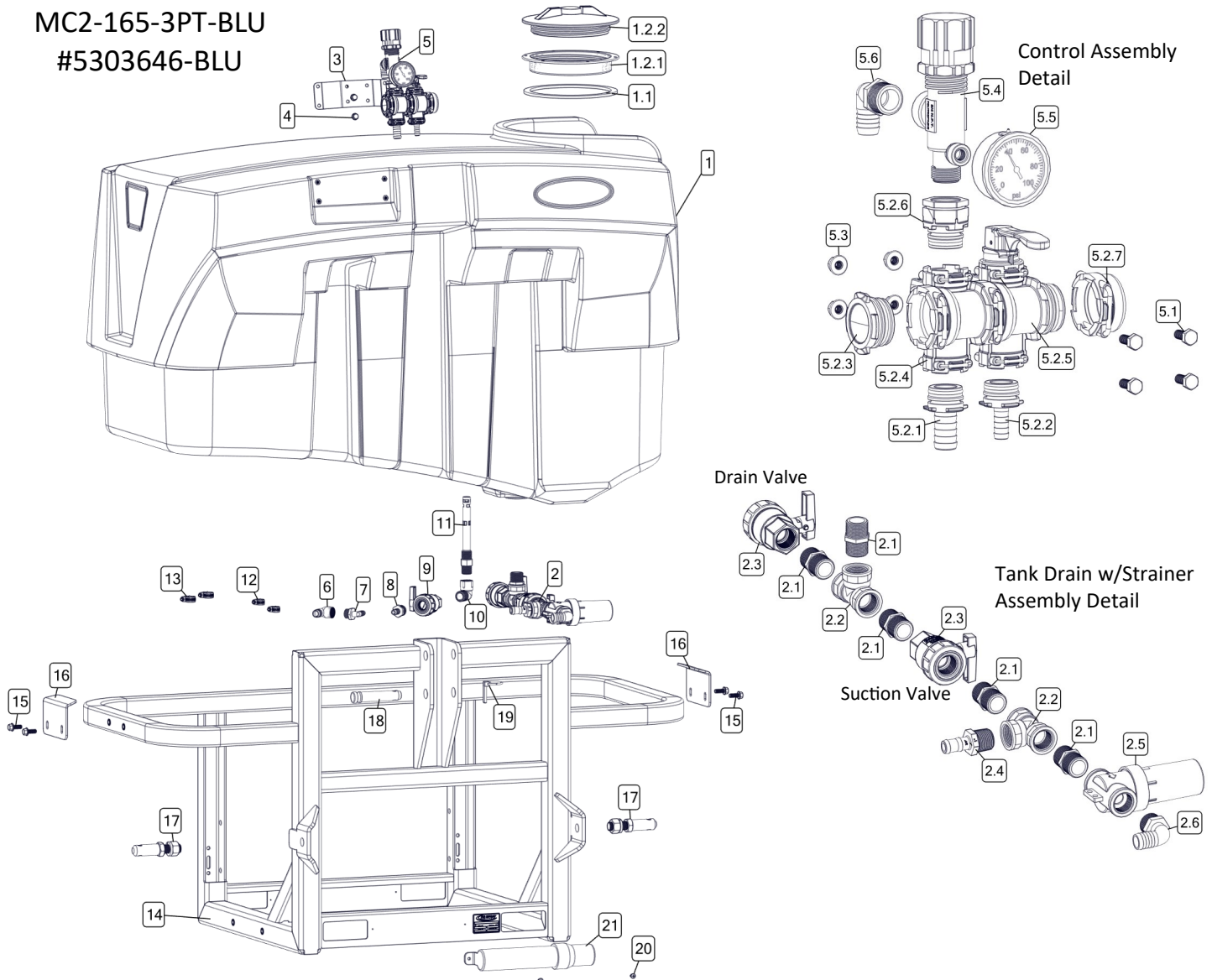
Winterizing your Sprayer

It is essential that you winterize your sprayer to avoid damage and to allow for optimal performance. The winterization process should be undertaken before freezing conditions and/or after each season of use. **Failure to winterize your sprayer will void the manufacturer's warranty.**

1. Verify that the tank is empty and rinsed out. Pour 1-2 gallons of RV nontoxic antifreeze into the tank. It is not recommended to use engine antifreeze. Engine antifreeze can be harmful to humans, animals, crops and the environment.
2. Engage the pump and spray with the boom and spray gun (if applicable). Make sure that the antifreeze has been pumped through the entire system, including all spray nozzles.
3. See pump manufacturers operators manual for proper winter storage of your sprayer pump.
4. Before spraying in the spring, it is recommended to flush the sprayer with fresh water to cleanse it of the antifreeze and any other buildup. It would also be beneficial to do a thorough inspection of all sprayer components before spraying.

MC2 165 Gallon 3-PT Component Breakdown & Parts List

MC2-165-3PT-BLU
#5303646-BLU



Ref. #	Part #	Description	Qty
1	5169369	165 Gallon MC2 Tank (Yellow)	1
1.1	63600	Norwesco 8" Lid Gasket	1
1.2	60032	Norwesco 8" Lid w/Vent & Ring Assembly	1
1.2.1	60003	8" Tank Lid Ring ONLY (for TL8N Lid)	1
1.2.2	TL8N	8" Poly Tank Lid w/Air Vent	1
2	5282529	MC2 Tank Drain w/Strainer Assembly	1
2.1	5011141	Poly Close Nipple, 1" MNPT	5
2.2	5010232	Poly Tee, 1" FNPT	2
2.3	BJUV100FP	Banjo 1" Single Union Ball Valve, Poly	2
2.4	5067186	Banjo 1" MPT x 3/4" Hose Barb	1
2.5	5116352	In-Line Strainer, 1" Poly, 40 Mesh	1
2.5.1	5072229	Strainer EPDM Gasket	1
2.5.2	5116180	40 Mesh Strainer Screen	1
2.6	5010213	Poly Elbow, 1" MNPT x 1" HB	1
3	5070256-BLK	Control Mount Bracket	1
4	5034604	5/16-18 x 0.5 Fling Hex Bolt	4
5	5282532	MC2 1-SEC Control Assembly	1
5.1	5034038	5/16-18 x 0.75 Hex Bolt	4
5.2	5282495	ARAG NPT+1 Two SEC Valve Assembly	1
5.2.1	1091320	T3 Male x 3/4" Hose Barb Straight	1
5.2.2	1091313	T3 Male x 1/2" Hose Barb Straight	1
5.2.3	219150	T5 Male Plug Fitting	1
5.2.4	463T001.010	Single 463T Body Bare	1
5.2.5	5143560	1-SEC Manual Valve T5XT3	1

Ref. #	Part #	Description	Qty
5.2.6	239133N	3/4" FNPT x T3 Male Fitting	1
5.2.7	219050	T5 Female Blank Cap	1
5.3	5006389	5/16-18 Fling Top-Lock Hex Nut	4
5.4	5143199	Pressure Relief Valve, (3/4" NPT)	1
5.5	5167108	2 1/2" Liquid Filled 100# Back Mount Gauge	1
5.6	5010209	Poly Elbow, 3/4" MNPT x 3/4" HB	1
6	3T34F	3/4" FPT x 3/4" HB x 3/4" HB Poly Tee	1
7	5010207	Poly Elbow, 3/4" MNPT x 1/2" HB	1
8	5067125	Poly Fitting, 3/4" MNPT x 1/2" HB	1
9	5143407	3/4" Union Ball Valve, Poly	1
10	5010244	Poly Street Elbow, 3/4" FNPT x 3/4" MNPT	1
11	5014014	3/4" Jet Agitator	1
12	HC08	Hose Clamp (1/2")	2
13	HC12	Hose Clamp (5/8" to 3/4")	2
14	5282513-BLU	MC2 3PT Frame Assembly	1
15	5034764	3/8-16 x 1.00 Fling Hex Bolt	4
16	5070262-BLU	MC2 Tank Retainer	2
17	LAP1-2	Lift Arm Pin, CAT I-II, 1 1/8" Dia x 1 13/16" Usable Length	2
18	5101127	Top Link Pin	1
19	5101091	Lynch Pin, 7/16" x 1-1/4"	1
20	5117317	1/4-20 x 0.50 PH Pan Head Self-Tapping Screw	2
21	70111	Owner's Manual Canister (Small)	1

Not Shown:

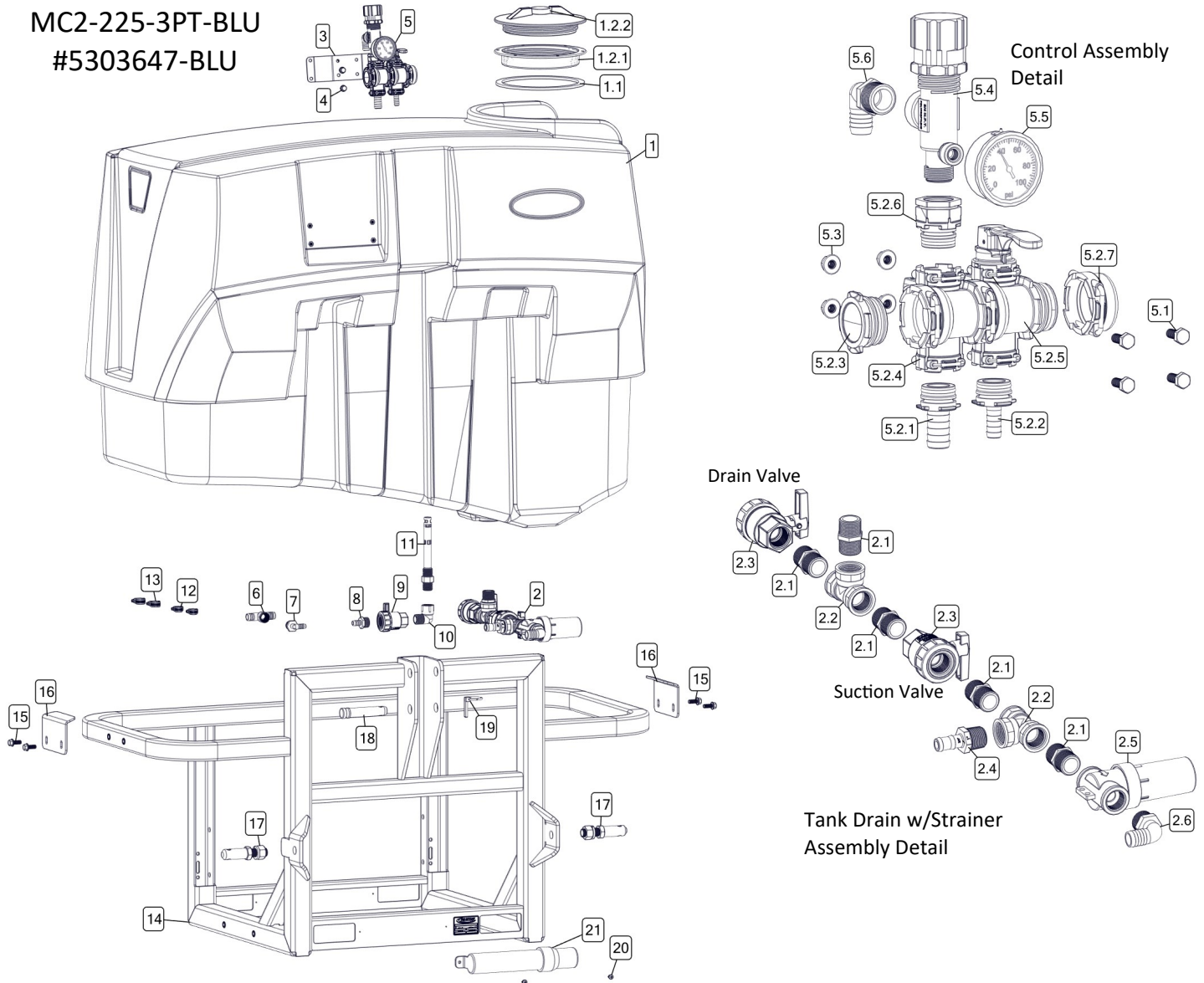
EPDM34 11 Ft. 3/4" - 200 PSI EPDM Spray Hose

KF1300BLK 4 Ft.

1"-50 PSI Kanaflex Suction Hose

MC2 225 Gallon 3-PT Component Breakdown & Parts List

MC2-225-3PT-BLU
#5303647-BLU



Ref. #	Part #	Description	Qty
1	5169370	225 Gallon MC2 Tank, Yellow	1
1.1	63600	Norwesco 8" Lid Gasket	1
1.2	60032	Norwesco 8" 8" Lid w/Vent & Ring Assembly	1
1.2.1	60003	8" Tank Lid Ring ONLY (for TL8N Lid)	1
1.2.2	TL8N	8" Poly Tank Lid w/Air Vent	1
2	5282529	MC2 Tank Drain w/Strainer Assembly	1
2.1	5011141	Poly Close Nipple, 1" MNPT	5
2.2	5010232	Poly Tee, 1" FNPT	2
2.3	BJUV100FP	Banjo 1" Single Union Ball Valve, Poly	2
2.4	5067186	Banjo 1" MPT x 3/4" Hose Barb	1
2.5	5116352	In-Line Strainer, 1" Poly, 40 Mesh	1
2.5.1	5072229	Strainer EPDM Gasket	1
2.5.2	5116180	40 Mesh Strainer Screen	1
2.6	5010213	Poly Elbow, 1" MNPT x 1" HB	1
3	5070256-BLK	Control Mount Bracket	1
4	5034604	5/16-18 x 0.5 Fling Hex Bolt	4
5	5282532	MC2 1-SEC Control Assembly	1
5.1	5034038	5/16-18 x 0.75 Hex Bolt	4
5.2	5282495	ARAG NPT+1 Two SEC Valve Assembly	1
5.2.1	1091320	T3 Male x 3/4" Hose Barb Straight	1
5.2.2	1091313	T3 Male x 1/2" Hose Barb Straight	1
5.2.3	219150	T5 Male Plug Fitting	1
5.2.4	463T001.010	Single 463T Body Bare	1
5.2.5	5143560	1-SEC Manual Valve T5XT3	1

Ref. #	Part #	Description	Qty
5.2.6	239133N	3/4" FNPT x T3 Male Fitting	1
5.2.7	219050	T5 Female Blank Cap	1
5.3	5006389	5/16-18 Fling Top-Lock Hex Nut	4
5.4	5143199	Pressure Relief Valve, (3/4" NPT)	1
5.5	5167108	2 1/2" Liquid Filled 100# Back Mount Gauge	1
5.6	5010209	Poly Elbow, 3/4" MNPT x 3/4" HB	1
6	3T34F	3/4" FPT x 3/4" HB x 3/4" HB Poly Tee	1
7	5010207	Poly Elbow, 3/4" MNPT x 1/2" HB	1
8	5067125	Poly Fitting, 3/4" MNPT x 1/2" HB	1
9	5143407	3/4" Union Ball Valve, Poly	1
10	5010244	Poly Street Elbow, 3/4" FNPT x 3/4" MNPT	1
11	5014014	3/4" Jet Agitator	1
12	HC08	Hose Clamp (1/2")	2
13	HC12	Hose Clamp (5/8" to 3/4")	2
14	5282513-BLU	MC2 3PT Frame Assembly	1
15	5034764	3/8-16 x 1.00 Fling Hex Bolt	4
16	5070262-BLU	MC2 Tank Retainer	2
17	LAP1-2	Lift Arm Pin, CAT I-II, 1 1/8" Dia x 1 13/16" Usable Length	2
18	5101127	Top Link Pin	1
19	5101091	Lynch Pin, 7/16" x 1-1/4"	1
20	5117317	1/4-20 x 0.50 PH Pen Head Self-Tapping Screw	2
21	70111	Owner's Manual Canister (Small)	1

Not Shown:

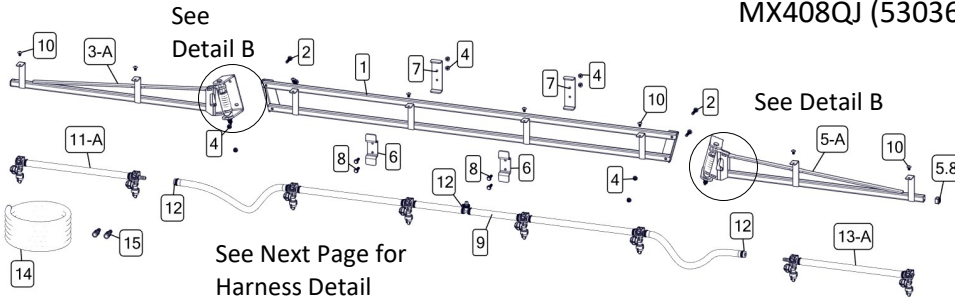
EPDM34 11 Ft. 3/4" - 200 PSI EPDM Spray Hose

KF1300BLK 4 Ft.

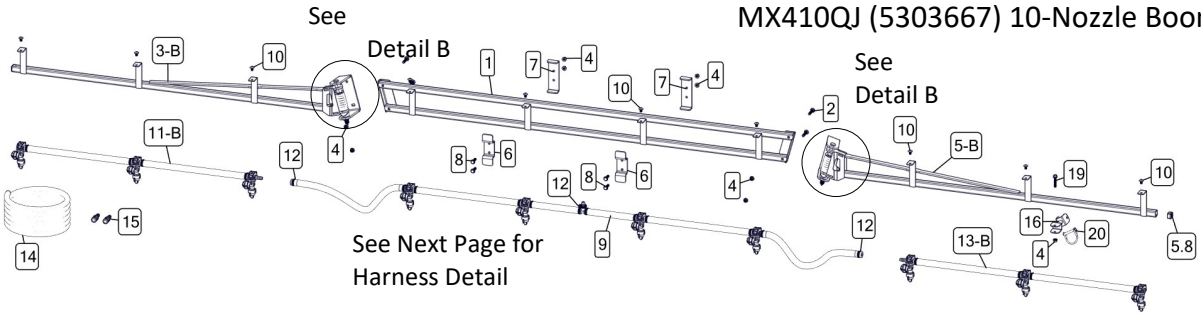
1"-50 PSI Kanaflex Suction Hose

MX4 Series Boom Component Breakdown & Parts List

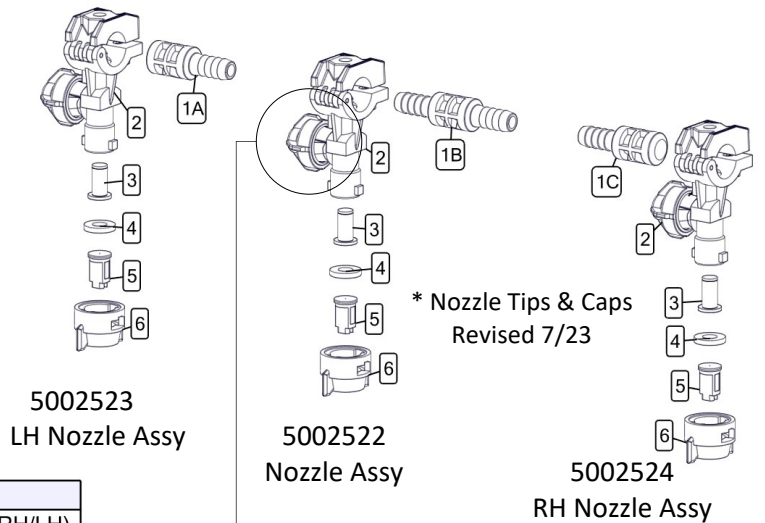
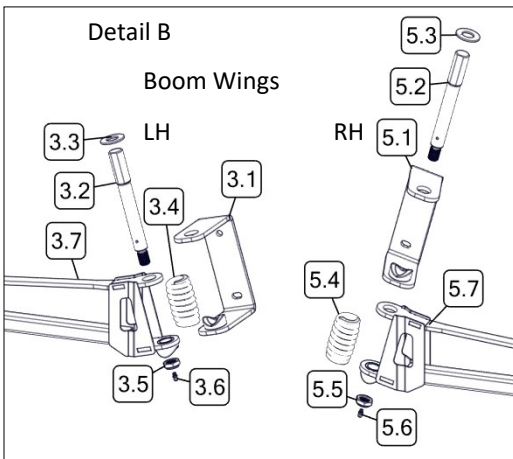
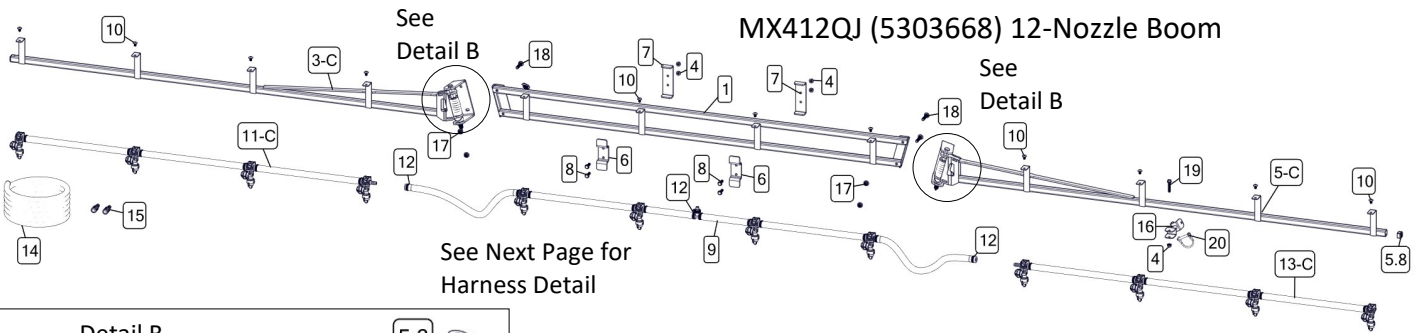
MX408QJ (5303666) 8-Nozzle Boom



MX410QJ (5303667) 10-Nozzle Boom



MX412QJ (5303668) 12-Nozzle Boom

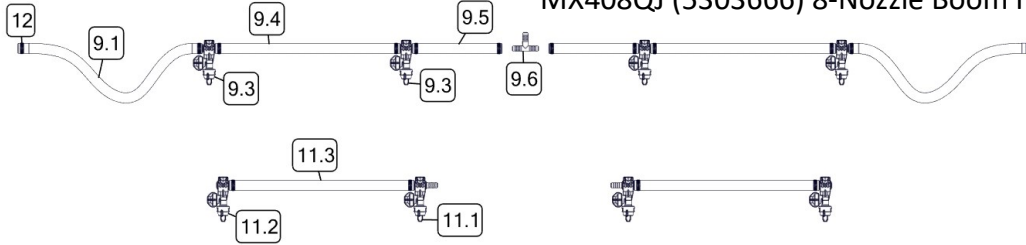


Ref. #	Part #	Description
1A	5002514	Single 1/2" HB Nozzle Dry Boom Adapter (RH/LH)
1B	5002513	Double 1/2" HB Nozzle Dry Boom Adapter
1C	5002514	Single 1/2" HB Nozzle Dry Boom Adapter (RH/LH)
2	5056125	QJ17560A-1/2, 1/2" Wet Boom QJ Nozzle Body
3	5116019	Nozzle Strainer, Blue (50 Mesh)
4	5016157	Seat Washer - EPDM - QJ Caps
5	AIXR11003VP	Air-Induction XR Flat Spray Tip
6	5046217	Quick Cap - Blue

Check Valve Cap: 5046113
Diaphragm: 5063132

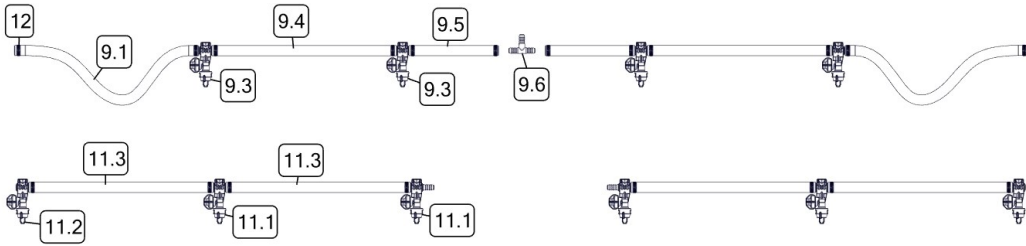
MX4 Series Boom Component Breakdown & Parts List

MX408QJ (5303666) 8-Nozzle Boom Harness

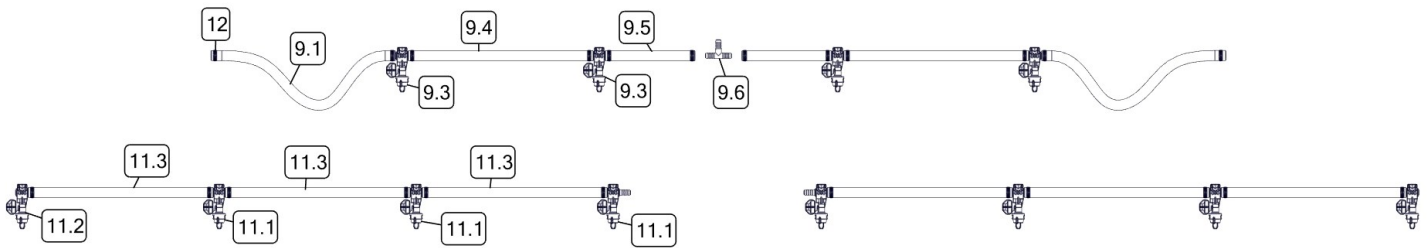


Opposite Side
Has Typical
Hose and Nozzle
Configuration

MX410QJ (5303667) 10-Nozzle Boom Harness



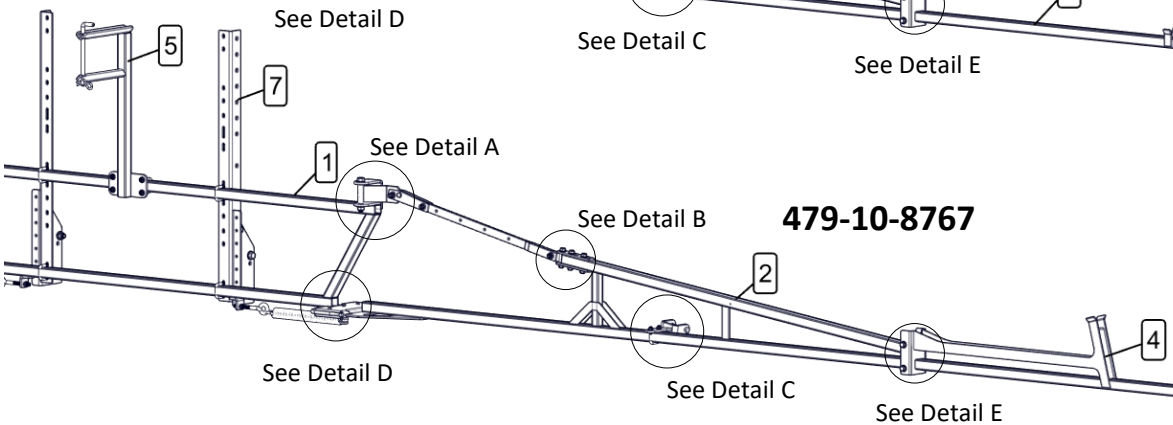
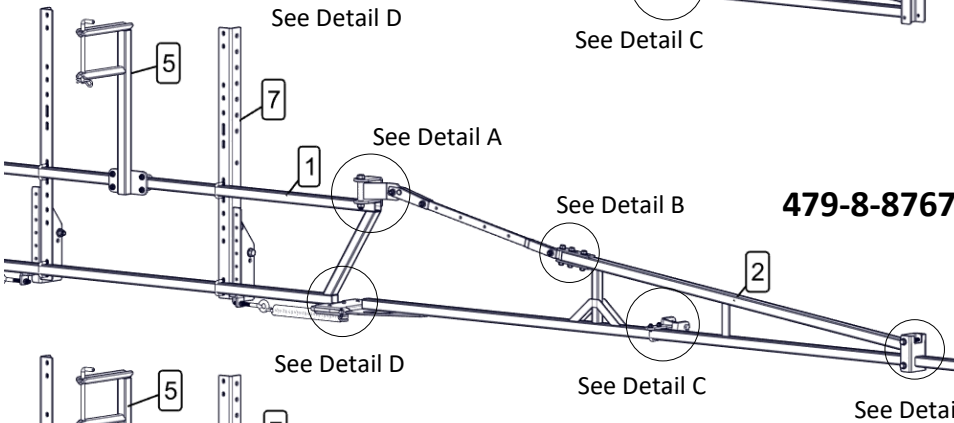
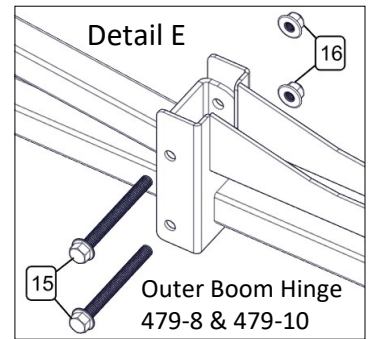
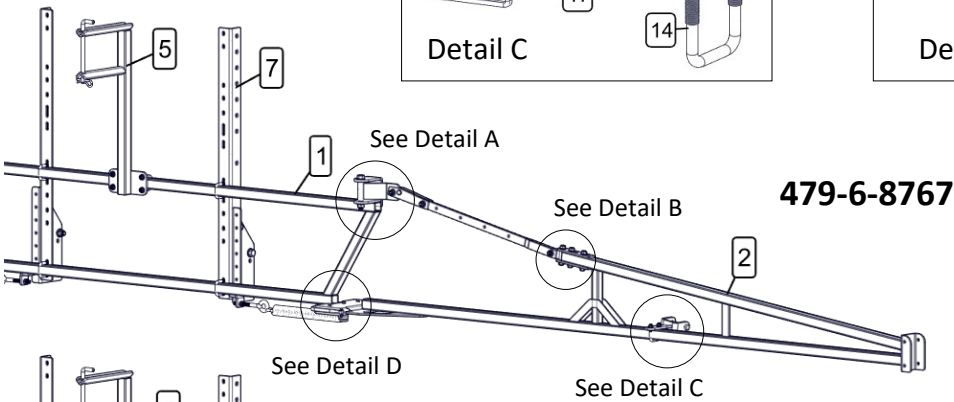
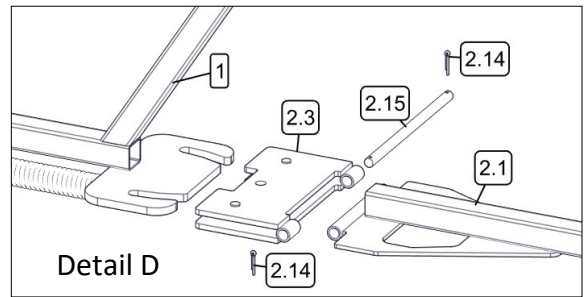
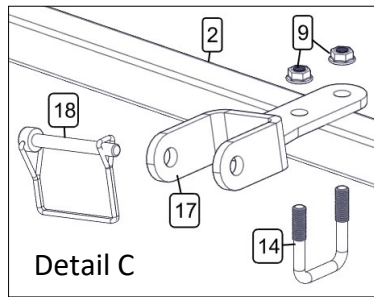
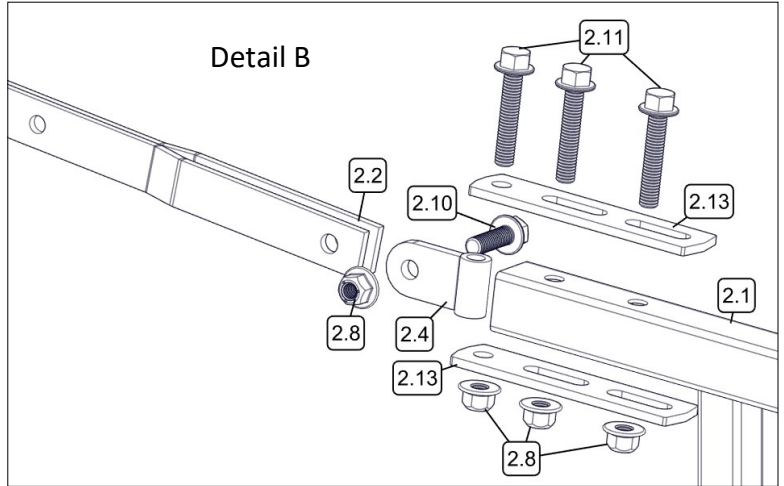
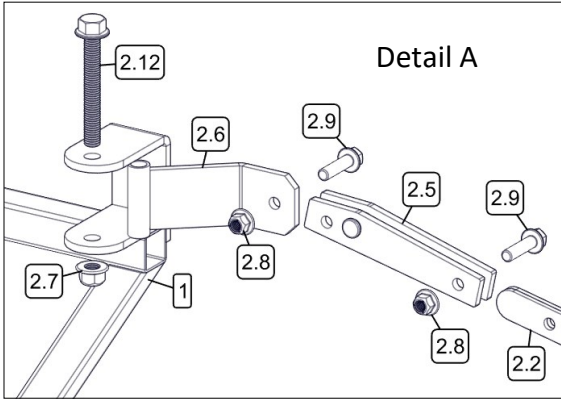
MX412QJ (5303668) 12-Nozzle Boom Harness



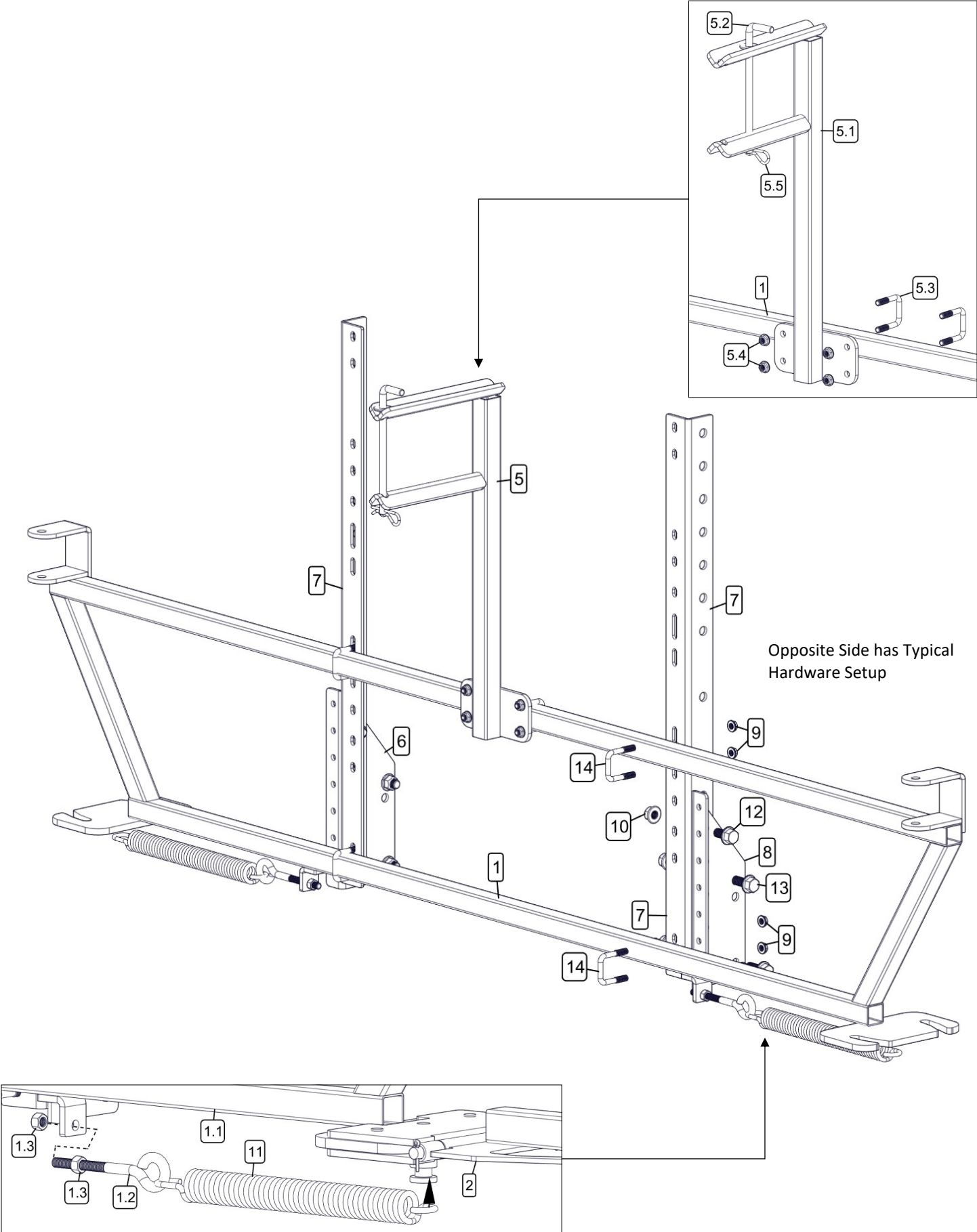
Ref. #	Part #	Description	408	410	412
1	5282551-BLK	MX4 Center Section	1	1	1
2	5034871	5/16-18 x 1.75 Carriage Bolt	4	4	4
3-A	5282563	MX4 2-Nozzle Wing Assembly, LH	1	---	---
3-B	5282565	MX4 3-Nozzle Wing Assembly, LH	---	1	---
3-C	5282567	MX4 4-Nozzle Wing Assembly, LH	---	---	1
3.1	5282560-BLK	MX4, LH Wing Mount	1	1	1
3.2	5101378	Pivot Pin	1	1	1
3.3	5016323	3/4 (.785) X 1.50" OD Flat Washer	1	1	1
3.4	5019762	Compression Spring, 3 3/4"	1	1	1
3.5	5034869	5/8-18 Top-Lock Hex Jam Nut	1	1	1
3.6	5012025	3/16" Straight Drive Bal Check Grease Fitting	1	1	1
3.7A	5282554-BLK	MX4 2-Nozzle Wing, LH	1	---	---
3.7B	5282556-BLK	MX4 3-Nozzle Wing, LH	---	1	---
3.7C	5282558-BLK	MX4 4-Nozzle Wing, LH	---	---	1
3.8	5046106	Square Cap, Black (1" Square Tube)	1	1	1
4	5006389	5/16-18 Fing Top-Lock Hex Nut	8	9	5
5-A	5282564	MX4 2-Nozzle Wing Assembly, RH	1	---	---
5-B	5282566	MX4 3-Nozzle Wing Assembly, RH	---	1	---
5-C	5282568	MX4 4-Nozzle Wing Assembly, RH	---	---	1
5.1	5282561-BLK	MX4, RH Wing Mount	1	1	1
5.2	5101378	Pivot Pin	1	1	1
5.3	5016323	3/4 (.785) X 1.50" OD Flat Washer	1	1	1
5.4	5019762	Compression Spring, 3 3/4"	1	1	1
5.5	5034869	5/8-18 Top-Lock Hex Jam Nut	1	1	1
5.6	5012025	3/16" Straight Drive Bal Check Grease Fitting	1	1	1
5.7A	5282555-BLK	MX4 2-Nozzle Wing, RH	1	---	---
5.7B	5282557-BLK	MX4 3-Nozzle Wing, RH	---	1	---
5.7C	5282559-BLK	MX4 4-Nozzle Wing, RH	---	---	1
5.8	5046106	Square Cap, Black (1" Square Tube)	1	1	1
6	5051179-BLK	MX4 Saddle Mount Clamp	2	2	2
7	5029212-BLK	MX4 Saddle Base	2	2	2
8	5034637	5/16-18 x 1.25 Fing Hex Bolt	4	4	4

Ref. #	Part #	Description	408	410	412
9	5282569	MX4 Boom Harness, 1-Way, Center	1	1	1
9.1	5020576	Hose, 1/2" (2SP) x 26"	2	2	2
9.2	5051114	Hose Clamp (1/2")	10	10	10
9.3	5002522	QJ17560A Nozzle Body, 11003 AIXR Tip, 1/2" HB Tee	4	4	4
9.4	5020977	Hose, 1/2"-1 Brd. x 18 1/2"	2	2	2
9.5	5020572	Hose, 1/2"-1 Brd. x 10"	2	2	2
9.6	5086026	Poly Hose Tee, 1/2" HB	1	1	1
10	5117342	5/16-18 x 0.50 PH Truss Head Screw	8	10	12
11-A	5282570	MX4 Boom Harness, 2-Nozzle Wing, LH	1	---	---
11-B	5282572	MX4 Boom Harness, 3-Nozzle Wing, LH	---	1	---
11-C	5282574	MX4 Boom Harness, 4-Nozzle Wing, LH	---	---	1
11.1	5002522	QJ17560A Nozzle Body, 11003 AIXR Tip, 1/2" HB Tee	1	2	3
11.2	5002523	QJ17560A Nozzle Body, 11003 AIXR Tip, 1/2" HB (LH)	1	1	1
11.3	5020977	Hose, 1/2"-1 Brd. x 18 1/2"	1	2	3
11.4	5051114	Hose Clamp (1/2")	2	4	6
12	5051114	Hose Clamp (1/2")	3	3	3
13-A	5282571	MX4 Boom Harness, 2-Nozzle Wing, RH	1	---	---
13-B	5282573	MX4 Boom Harness, 3-Nozzle Wing, RH	---	1	---
13-C	5282575	MX4 Boom Harness, 4-Nozzle Wing, RH	---	---	1
13.1	5002522	QJ17560A Nozzle Body, 11003 AIXR Tip, 1/2" HB Tee	1	2	3
13.2	5002524	QJ17560A Nozzle Body, 11003 AIXR Tip, 1/2" HB (RH)	1	1	1
13.3	5020977	Hose, 1/2"-1 Brd. x 18 1/2"	1	2	3
13.4	5051114	Hose Clamp (1/2")	2	4	6
14	5020973	Hose, 1/2"-1Brd x 18 Ft.	1	1	1
15	5002514	Single 1/2" Barb Dry Boom Nozzle Adaptor	2	2	2
16	5282562-BLK	MX4 Boom, Wing Lock	---	1	1
17	5006345	3/8-16 Fing Top-Lock Hex Nut	---	---	4
18	5034485	3/8-16 x 2.00 Carriage Bolt	---	---	4
19	5034639	5/16-18 x 1.75 Fing Hex Bolt (Full Thread)	---	1	1
20	5101260	5/16" x 1-3/4" Lynch Pin	---	1	1

479 Boom Assembly Component Breakdown & Parts List



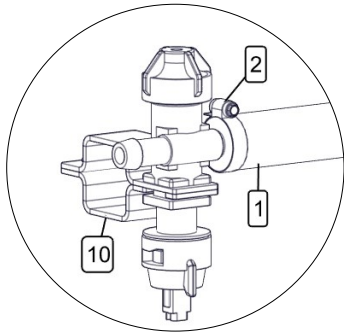
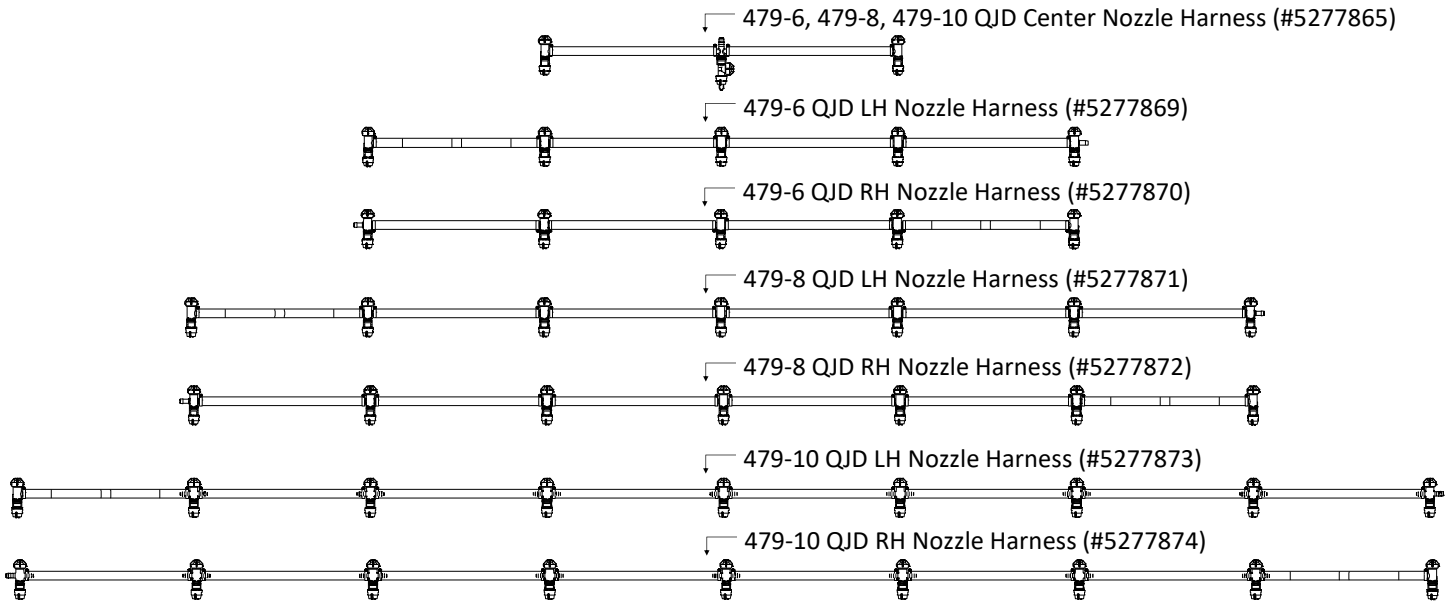
479 Back Rack & Boom Stand Component Breakdown & Parts List



479 Boom Assembly Component Breakdown & Parts List

Ref. #	Part #	Description	479-6QJ	479-8QJ	479-10QJ
1	5275257	Center Frame Assembly	1	1	1
1.1	5274903	Boom Center Frame Weldment	1	1	1
1.2	5034107	3/8" x 4" Eyebolt, Turned, Zinc-Plated	2	2	2
1.3	5006054	3/8"-16 Hex Nut	4	4	4
2	5275255	1st Outer Boom Assembly	2	2	2
2. 1	5274904	First Outer Boom	1	1	1
2. 2	5274906	Boom Link Weldment	1	1	1
2. 3	5274907	Hinge Plate Weldment	1	1	1
2. 4	5274908	Pivot Weldment	1	1	1
2. 5	5274909	Pivot Link Weldment	1	1	1
2. 6	5274910	Upper Pivot Weldment	1	1	1
2. 7	5006365	1/2-13nc Hex Flanged Toplock Nut Gr. 8	1	1	1
2. 8	5006345	3/8-16nc Hex Flanged Toplock Nut Gr. 5	6	6	6
2. 9	5034777	Flng HH Bolt 3/8-16 X 1 1/2"	2	2	2
2.10	5034592	H.H.C.S. Flanged 3/8"-16nc x 1 1/4" Long	1	1	1
2.11	5034665	H.H.C.S. Flanged 3/8"-16nc x 2" Long	3	3	3
2.12	5034701	H.H.C.S. Flanged 1/2"-13nc x 3 3/4" Long	1	1	1
2.13	5095165	Slide Tab	2	2	2
2.14	5101077	Cotter Pin, 1/8" x 1"	2	2	2
2.15	5101263	Hinge Pin	1	1	1
3	5274905	Outer Boom Weldment (28' Boom)	-	2	-
4	5274913	Outer Boom Weldment (35' Boom)	-	-	2
5	5275258	Pro Series Boom Stand	1	1	1
5.1	5274911	Boom Stand Weldment	1	1	1
5.2	5274961	Lock Pin Weldment	1	1	1
5.3	5034159	Square U-Bolt, 5/16" x 1 5/16" x 1 7/8"	2	2	2
5.4	5006307	5/16"-18 Hex Whiz (Flange) Locknut	4	4	4
5.5	5101065	#211 Hitch Pin Clip (Zinc Plated)	1	1	1
6	5038767	Boom Mount Bracket (LH)	1	1	1
7	5022255	Boom Upright Angle	2	2	2
8	5038766	Boom Mount Bracket (RH)	1	1	1
9	5006307	5/16"-18 Hex Whiz (Flange) Locknut	10	10	10
10	5006365	1/2-13nc Hex Flanged Toplock Nut Gr. 8	8	8	8
11	5019259	Boom Spring	2	2	2
12	5034690	H.H.C.S. Flanged 1/2"-13nc x 1" Long	4	4	4
13	5034691	H.H.C.S. Flanged 1/2"-13nc x 1 1/4" Long	4	4	4
14	5034159	Square U-Bolt, 5/16" x 1 5/16" x 1 7/8"	5	5	5
15	5034672	H.H.C.S. Flanged 3/8"-16nc x 3 3/4" Long	-	4	4
16	5006345	3/8-16nc Hex Flanged Toplock Nut Gr. 5	-	4	4
17	5278772	Boom Retainer Weldment	1	1	1
18	5101302	D-Ring Lock Pin, 5/16" Dia. x 2-3/4"	1	1	1
19	5277869	LH Nozzle Harness (479-6-QJD)	1	-	-
20	5277871	LH Nozzle Harness (479-8-QJD)	-	1	-
21	5277873	LH Nozzle Harness (479-10-QJD)	-	-	1
22	5277865	Center Nozzle Harness (479-6, 8 & 10-QJD)	1	1	1
23	5277870	RH Nozzle Harness (479-6-QJD)	1	-	-
24	5277872	RH Nozzle Harness (479-8-QJD)	-	1	-
25	5277874	RH Nozzle Harness (479-10-QJD)	-	-	1

479 Harness Assembly Component Breakdown & Parts List



NOTES:
 All hoses in this boom assembly are part #5020569 (Item 1)
 All hose clamps (2 per hose) are #5051114 (Item 2)

Ref. #	Part #	Description	479-6	479-8	479-10
1	5020569	Hose, 1/2"-1 Brd. x 19 3/8"	10	14	18
2	5051114	Hose Clamp (3/8"-1/2")	20	28	36
3	5056086	Vari-Quick "End" Nozzle Assembly	4	4	4
4	5056089	Vari-Quick "Tee" Nozzle Assembly	8	12	16
5	5056075	Vari-Quick "Cross" Nozzle Assembly	1	1	1
6	5116019	Nozzle Strainer, Red (50 Mesh)	13	17	21
7	5016157	Seat Washer (QJ Caps)	13	17	21
8	AIXR11003VP	Air-Induction XR Flat Spray Tip	13	17	21
9	5046217	QJ Cap Only (Blue)	13	17	21
10	5272165	Vari-Quick Clamp (1 1/4" Sq. Tube)	13	17	21

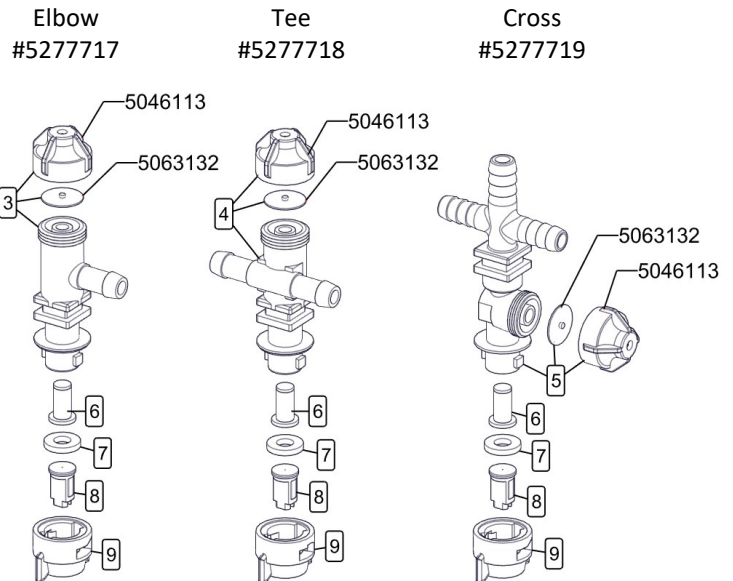
	Pressure (psi)	Capacity (GPM)	1 MPH	2 MPH	3 MPH	4 MPH	5 MPH	6 MPH	8 MPH
Gallons Per Acre Based on Water	15	.18	53.6	26.8	17.8	13.4	10.7	8.9	6.7
	20	.21	62.4	31.2	20.8	15.6	12.5	10.4	7.8
	30	.26	77.2	38.6	25.8	19.3	15.4	12.9	9.7
	40	.30	88.0	44.0	29.8	22.0	17.8	14.9	11.1
Gallons Per 1000 Sq. Ft. Based on Water	15	.18	.61	.41	.31	.24			
	20	.21	.71	.48	.36	.29			
	30	.26	.88	.59	.44	.35			
	40	.30	1.0	.68	.51	.41			

The AIXR TeeJet Flat Spray Tip offers the benefits of obtaining excellent drift resistance without compromising spray coverage. Tips producing very coarse droplets do minimize drift but do not provide the same surface coverage as tips that produce smaller droplets. In some applications, inadequate coverage decreases the effectiveness of the applied chemicals.

AIXR Features and Benefits

- 110° wide, tapered flat spray angle with air induction technology for better drift management
- Made of 2-piece UHMWPE polymer construction which provides excellent chemical resistance, including acids, as well as exceptional wear life
- Compact size to prevent tip damage
- Removable pre-orifice
- Excellent for systemic products and drift management

Typical Nozzle Assembly Configurations



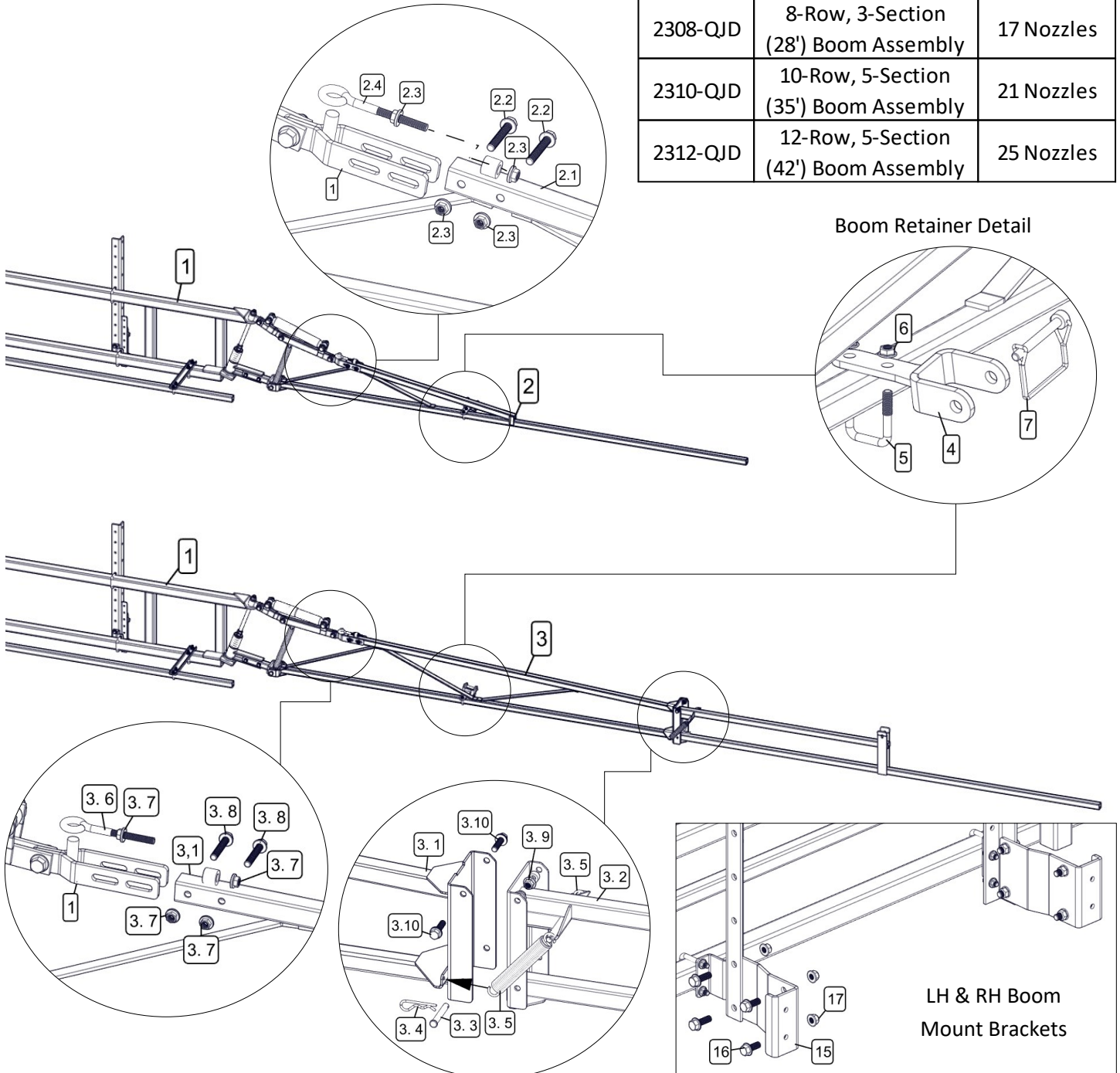
Nozzle Assemblies consist of "Elbow", "Tee" & "Cross" style nozzles.

Assemblies include: Nozzle Body, Strainer, Seat Washer, AIXR11003VP Nozzles & Nozzle Cap

2300 Boom Assembly Component Breakdown & Parts List

Ref. #	Part #	2308	2310	2312	Description
1	5300325	1	1	1	Back Rack Assembly (2300 Series Boom)
2	5300189	-	-	-	2308 Series Outer Boom Assembly
2.1	5272076	1	-	-	End Boom (8-Row)
2.2	5034666	2	-	-	H.H.C.S. Flanged 3/8"-16nc x2 1/4 " Long
2.3	5006259	4	-	-	3/8"-16 Hex Whiz (Flange) Locknut
2.4	5034107	1	-	-	3/8" x 4" Eyebolt, Turned, Zinc-Plated
3	5277922	-	2	2	2310 & 2312 Series Outer Boom Assembly
3.1	5272230	-	1	1	Wing Boom Weldment (1200)
3.2	5272232	-	1	1	End Boom Weldment (1200)
3.3	5101064	-	1	1	Clevis Pin, 3/8" Dia. x 2 5/8"
3.4	5101065	-	1	1	#211 Hitch Pin Clip (Zinc Plated)
3.5	5019143	-	2	2	Extension Spring
3.6	5034107	-	1	1	3/8" x 4" Eyebolt, Turned, Zinc-Plated
3.7	5006259	-	4	4	3/8"-16 Hex Whiz (Flange) Locknut
3.8	5034666	-	2	2	H.H.C.S. Flanged 3/8"-16nc x2 1/4 " Long
3.9	5006345	-	2	2	3/8-16nc Hex Flanged Toplock Nut Gr. 5
3.10	5034663	-	2	2	H.H.C.S. Flanged 3/8"-16nc x 1 1/2" Long

Ref. #	Part #	2308	2310	2312	Description
4	5277852	1	-	-	LH Nozzle Harness Assembly (8- Row QJD)
5	5277856	-	1	-	LH Nozzle Harness Assembly (10- Row QJD)
6	5277858	-	-	1	LH Nozzle Harness Assembly (12- Row QJD)
7	5277767	1	1	1	Center Nozzle Harness Assembly (QJD - 1/2")
8	5277853	1	-	-	RH Nozzle Harness Assembly (8- Row QJD)
9	5277857	-	1	-	RH Nozzle Harness Assembly (10-Row QJD)
10	5277859	-	-	1	RH Nozzle Harness Assembly (12-Row QJD)
11	5278772	1	1	1	Boom Retainer Weldment
12	5034159	1	1	1	Square U-Bolt, 5/16" x 1 5/16" x 1 7/8"
13	5006307	2	2	2	5/16-18nc Hex Flanged Whiz Nut Gr. 5
14	5101302	1	1	1	D-Ring Lock Pin, 5/16" Dia. x 2-3/4"
15	5038767	1	1	1	Boom Mount Bracket (LH)
16	5038766	1	1	1	Boom Mount Bracket (RH)
17	5034690	4	4	4	H.H.C.S. Flanged 1/2"-13nc x 1" Long
18	5006365	4	4	4	1/2-13nc Hex Flanged Toplock Nut Gr. 8



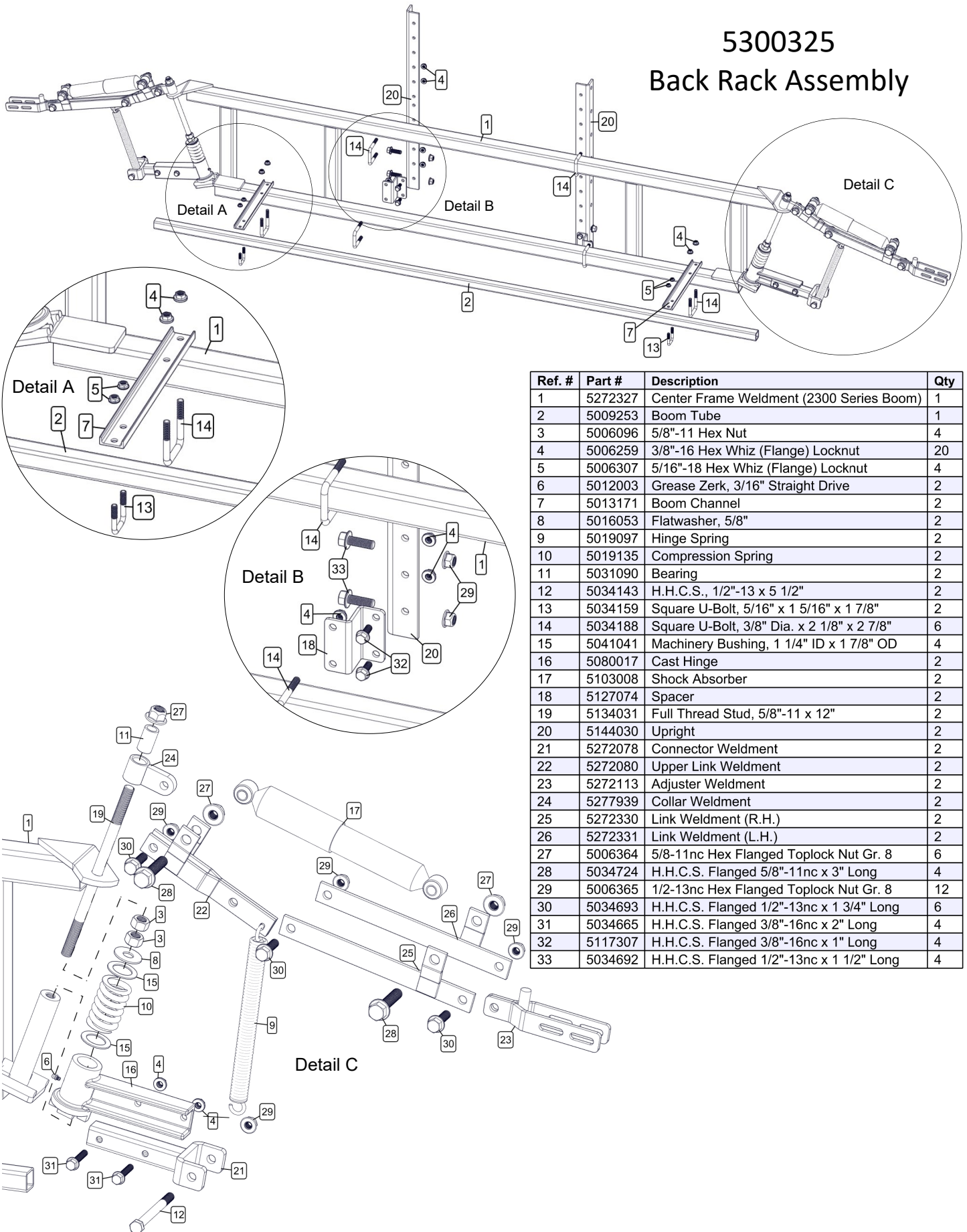
Boom Configuration Info		
2308-QJD	8-Row, 3-Section (28') Boom Assembly	17 Nozzles
2310-QJD	10-Row, 5-Section (35') Boom Assembly	21 Nozzles
2312-QJD	12-Row, 5-Section (42') Boom Assembly	25 Nozzles

Boom Retainer Detail

LH & RH Boom Mount Brackets

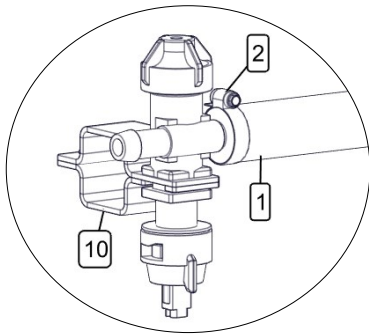
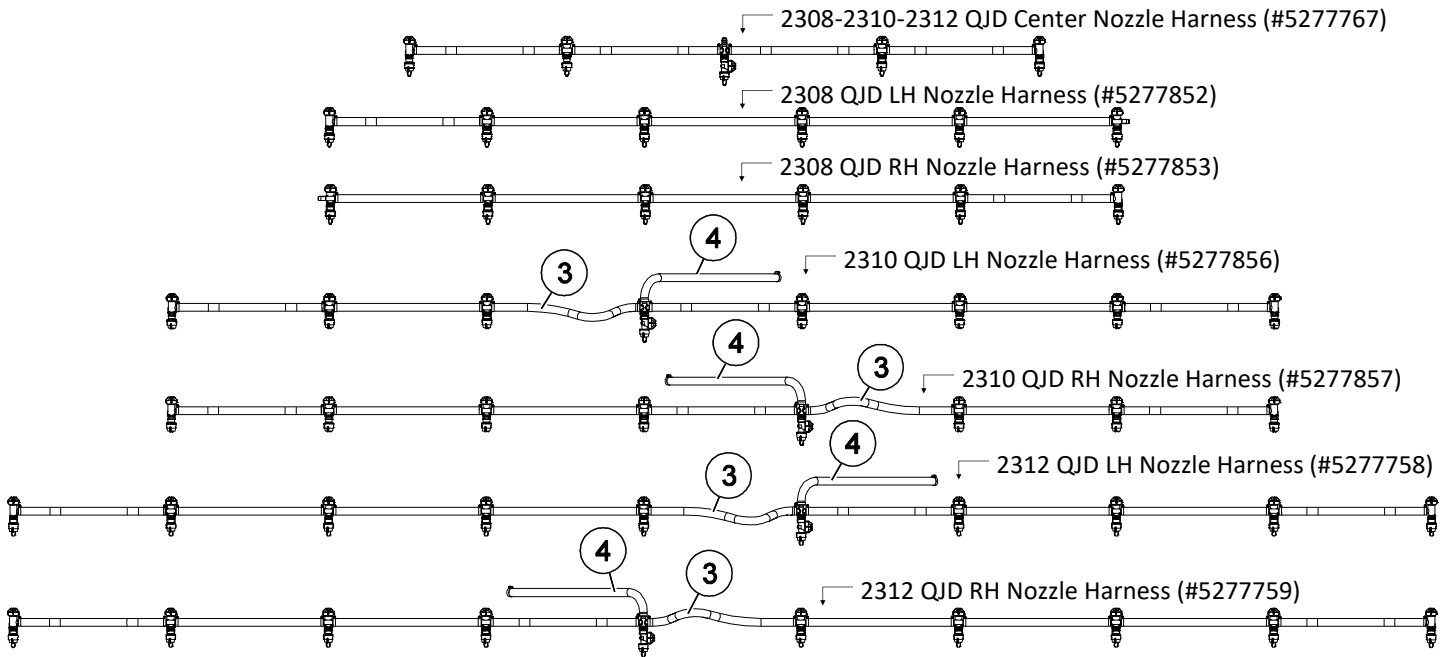
2300 Boom Assembly Component Breakdown & Parts List

5300325 Back Rack Assembly



Ref. #	Part #	Description	Qty
1	5272327	Center Frame Weldment (2300 Series Boom)	1
2	5009253	Boom Tube	1
3	5006096	5/8"-11 Hex Nut	4
4	5006259	3/8"-16 Hex Whiz (Flange) Locknut	20
5	5006307	5/16"-18 Hex Whiz (Flange) Locknut	4
6	5012003	Grease Zerk, 3/16" Straight Drive	2
7	5013171	Boom Channel	2
8	5016053	Flatwasher, 5/8"	2
9	5019097	Hinge Spring	2
10	5019135	Compression Spring	2
11	5031090	Bearing	2
12	5034143	H.H.C.S., 1/2"-13 x 5 1/2"	2
13	5034159	Square U-Bolt, 5/16" x 1 5/16" x 1 7/8"	2
14	5034188	Square U-Bolt, 3/8" Dia. x 2 1/8" x 2 7/8"	6
15	5041041	Machinery Bushing, 1 1/4" ID x 1 7/8" OD	4
16	5080017	Cast Hinge	2
17	5103008	Shock Absorber	2
18	5127074	Spacer	2
19	5134031	Full Thread Stud, 5/8"-11 x 12"	2
20	5144030	Upright	2
21	5272078	Connector Weldment	2
22	5272080	Upper Link Weldment	2
23	5272113	Adjuster Weldment	2
24	5277939	Collar Weldment	2
25	5272330	Link Weldment (R.H.)	2
26	5272331	Link Weldment (L.H.)	2
27	5006364	5/8-11nc Hex Flanged Toplock Nut Gr. 8	6
28	5034724	H.H.C.S. Flanged 5/8"-11nc x 3" Long	4
29	5006365	1/2-13nc Hex Flanged Toplock Nut Gr. 8	12
30	5034693	H.H.C.S. Flanged 1/2"-13nc x 1 3/4" Long	6
31	5034665	H.H.C.S. Flanged 3/8"-16nc x 2" Long	4
32	5117307	H.H.C.S. Flanged 3/8"-16nc x 1" Long	4
33	5034692	H.H.C.S. Flanged 1/2"-13nc x 1 1/2" Long	4

2300 Harness Assembly Component Breakdown & Parts List



NOTES:
All hoses that are not called out, will be hose #5020416 (Item 1)

All hose clamps (2 per hose) are #5051114 (Item 2)

Ref. #	Part #	2308	2310	2312	Description
1	5020416	14	16	20	Hose, 1/2"-1 Brd. x 19 3/8"
2	5051114	28	40	48	Hose Clamp, 1/2"
3	5020009	-	2	2	Hose, 1/2"-1 Brd. x 26"
4	5020124	-	2	2	Hose, 1/2"-1 Brd. x 8 Ft.
5	5056086	4	6	6	Vari-Quick "End" Nozzle Assembly
6	5056089	12	12	16	Vari-Quick "Tee" Nozzle Assembly
7	5056075	1	3	3	Vari-Quick "Cross" Nozzle Assembly
8	5116019	17	21	25	Nozzle Strainer, Red (50 Mesh)
9	5016157	17	21	25	Seat Washer (QJ Caps)
10	AIXR11003VP	17	21	25	Air-Induction XR Flat Spray Tip
11	5046217	17	21	25	QJ Cap Only (Blue)
12	5272165	17	21	25	Vari-Quick Clamp (1 1/4" Sq. Tube)

AIXR11003VP Spray Tip Rate Chart (20" Spacing)

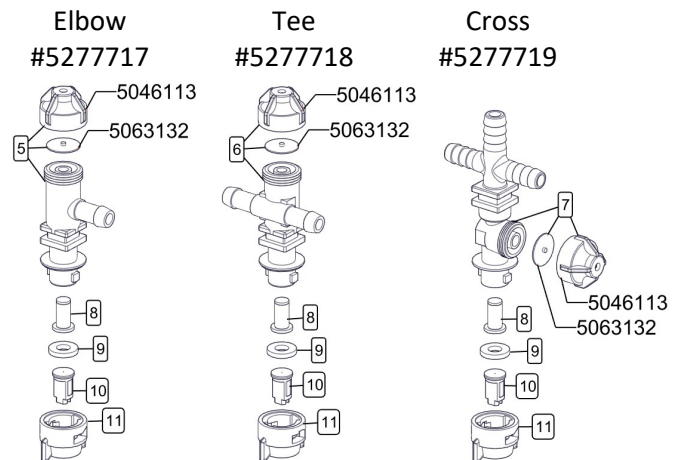
	Pressure (psi)	Capacity (GPM)	Gallons Per Acre Based on Water							
			1 MPH	2 MPH	3 MPH	4 MPH	5 MPH	6 MPH	8 MPH	
Gallons Per Acre Based on Water	15	.18	53.6	26.8	17.8	13.4	10.7	8.9	6.7	
	20	.21	62.4	31.2	20.8	15.6	12.5	10.4	7.8	
	30	.26	77.2	38.6	25.8	19.3	15.4	12.9	9.7	
	40	.30	88.0	44.0	29.8	22.0	17.8	14.9	11.1	
Gallons Per 1000 Sq. Ft. Based on Water	15	.18		.61	.41	.31	.24			
	20	.21		.71	.48	.36	.29			
	30	.26		.88	.59	.44	.35			
	40	.30		1.0	.68	.51	.41			

The AIXR TeeJet Flat Spray Tip offers the benefits of obtaining excellent drift resistance without compromising spray coverage. Tips producing very coarse droplets do minimize drift but do not provide the same surface coverage as tips that produce smaller droplets. In some applications, inadequate coverage decreases the effectiveness of the applied chemicals.

AIXR Features and Benefits

- 110° wide, tapered flat spray angle with air induction technology for better drift management
- Made of 2-piece UHMWPE polymer construction which provides excellent chemical resistance, including acids, as well as exceptional wear life
- Compact size to prevent tip damage
- Removable pre-orifice
- Excellent for systemic products and drift management

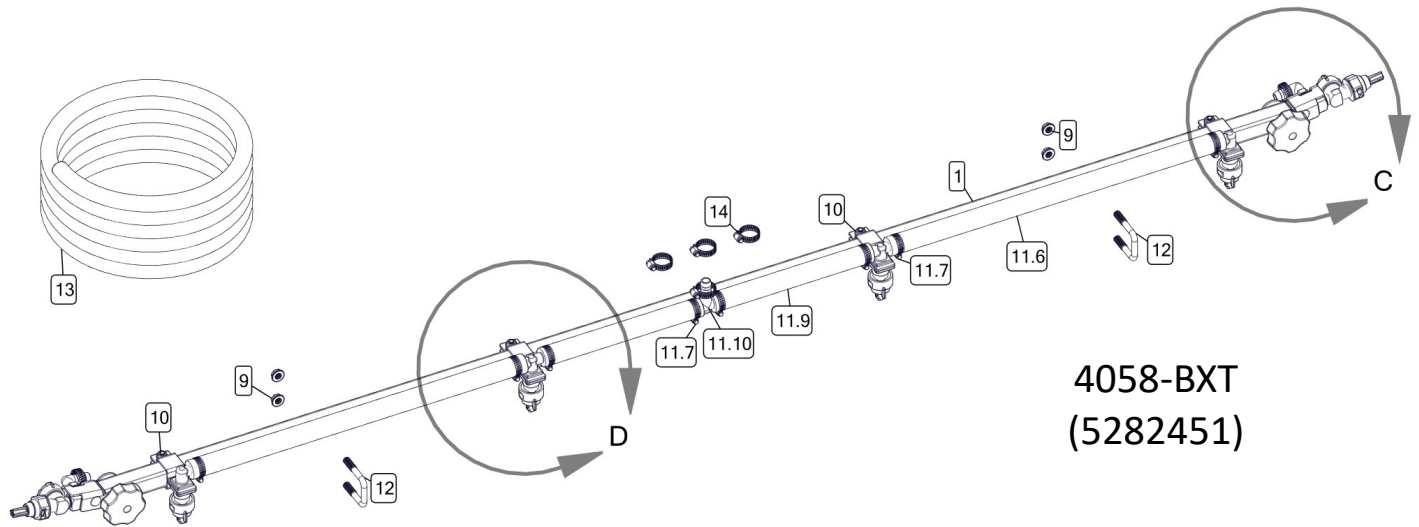
Typical Nozzle Assembly Configurations



Nozzle Assemblies consist of "Elbow", "Tee" & "Cross" style nozzles.

Assemblies include: Nozzle Body, Strainer, Seat Washer, AIXR11003VP Nozzles & Nozzle Cap

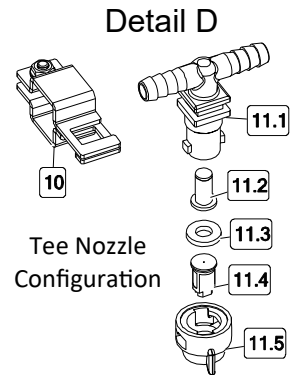
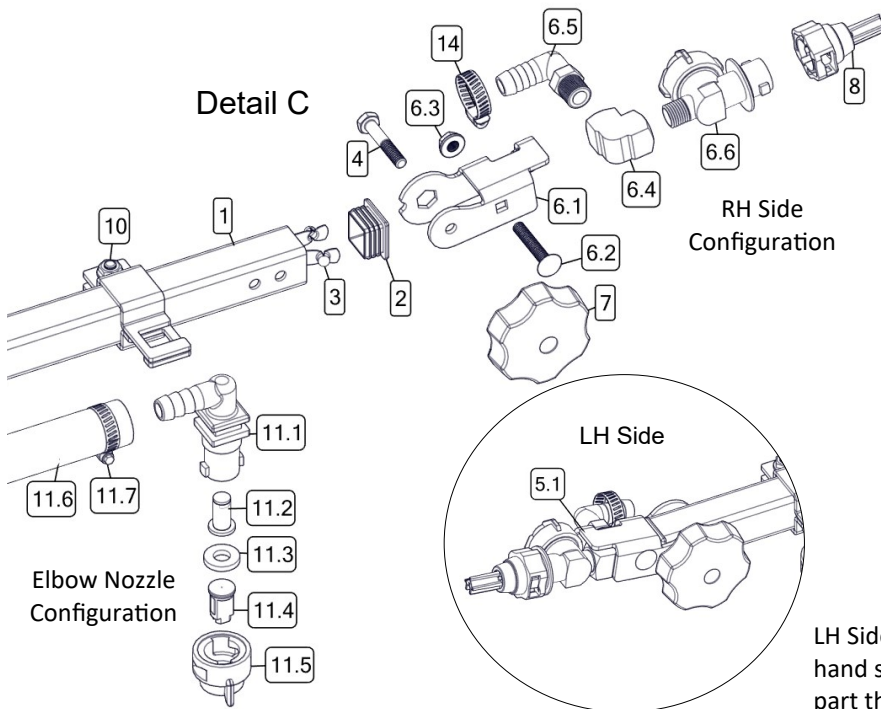
BXT Series Boomless Boom Component Breakdown & Parts List



**4058-BXT
(5282451)**

Ref. #	Part #	Description	Qty
1	5011313-BLK	Center Boom Tube, 1" Square	1
2	5046459	Tube Cap, 1" Square	2
3	5101377	Spring Steel Button Pin	2
4	5034156	1/4-20 x 1.50 Hex Bolt	2
5	5282464	BXT Pivot Assembly, LH	1
5.1	5070194-BLK	BXT Bracket, LH	1
5.2	5034527	1/4-20 x 1.50 Carriage Bolt	1
5.3	5006306	1/4-20 Serrated Flng Hex Nut	1
5.4	5149210	1/4" FNPT 90° Brass Elbow	1
5.5	5010197	Poly Elbow, 1/4" MNPT x 1/2" HB	1
5.6	5002380	QJ Diaphragm Check Valve 1/4 MNPT	1
6	5282465	BXT Pivot Assembly, RH	1
6.1	5070195-BLK	BXT Bracket, RH	1
6.2	5034527	1/4-20 x 1.50 Carriage Bolt	1
6.3	5006306	1/4-20 Serrated Flng Hex Nut	1
6.4	5149210	1/4" FNPT 90° Brass Elbow	1
6.5	5010197	Poly Elbow, 1/4" MNPT x 1/2" HB	1
6.6	5002380	QJ Diaphragm Check Valve 1/4 MNPT	1
7	5088026	5 Lobe Knob 1/4-20UNC	2

Ref. #	Part #	Description	Qty
8	FC-XT024	Hypro Boom X-Tender Nozzle (Yellow)	2
9	5006307	5/16-18 Serrated Flng Hex Nut	4
10	5277923	Nozzle Clamp, 1"	4
11	5282467	4-Nozzle BXT Harness AIXR	1
11.1	5056065	Nozzle Body - QJ - Elbow - 1/2"	2
11.2	5143543	Nozzle Check Strainer, Blue (50 Mesh)	4
11.3	5016157	Seat Washer - EPDM - QJ Caps	4
11.4	AIXR110025VP	Air-Induction XR Flat Spray Tip	4
11.5	5018438	Quick Cap - Violet	4
11.6	5020569	Hose, 1/2"-1 Brd. x 19 3/8"	2
11.7	5051114	Hose Clamp (1/2")	8
11.8	5056067	Nozzle Body - QJ - Tee - 1/2"	2
11.9	5020572	Hose, 1/2"-1 Brd. x 10"	2
11.10	5086026	Poly Hose Tee, 1/2" HB	1
12	5034159	5/16-18 x 1.3125 x 1.875 Square U-Bolt	2
13	5020973	Hose, 1/2"-1 Brd x 18'	1
14	5051114	Hose Clamp (1/2")	6



LH Side has typical configuration, as right hand side, however, bracket is the only part that is different.

PX4 - 80" Center Section Component Breakdown & Parts List

Ref. #	Part #	Description	Qty.
1	5281736	Assembly PX Boom 4-Nozzle Center Section	1
1.1	5281746-CBK	PX Boom 4-Nozzle Center Section	1
1.2	5051169	1/4-20 Carriage Bolt	3
1.3	5011292-CBK	4-Nozzle Tube, PX Boom Center	1
1.4	5006344	1/4-20 Flanged Top-Lock Hex Nut	3
1.5	5034726	5/8-11 x 3.50 Flanged Hex Bolt (Full Thread)	2
1.6	5281751	PX Boom Folding Break-Away Hinge	2
1.6.1	5281742-CNC	PX Boom Fold Hinge Weldment	1
1.6.2	5034857	1/2-13 x 9" Carriage Bolt	1
1.6.3	5019758-CNC	Compression Spring, .375 Wire x 2.187 OD x 4 L	1
1.6.4	5108135-CNC	Coiled Spring Retainer	1
1.6.5	5041210-CNC	PX Boom Spring Retainer Bushing	1
1.6.6	5281741-CNC	PX Boom Pivot Hinge Weldment	1
1.6.7	5012015	Grease Zerk, 1/4-28 Thread	2
1.6.8	5101373	Spring Pin, 0.5" Dia. X 3" Long	1
1.6.9	5006011	1/2-13 Hex Nut	2
1.7	5006201	5/8-11 Top-Lock Hex Nut	2
1.8	5034665	3/8-16 x 2.00 Flanged Hex Bolt (Full Thread)	2

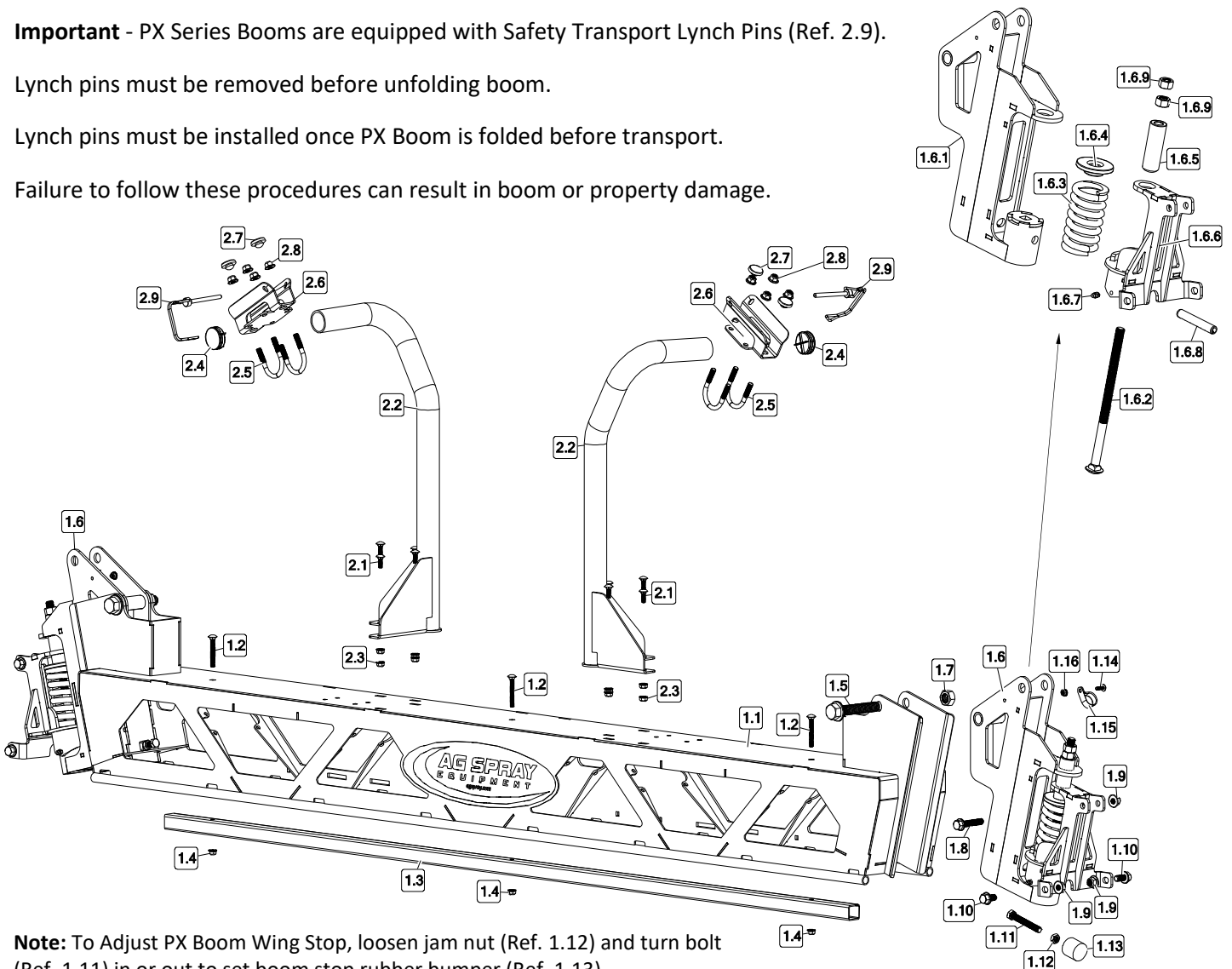
Ref. #	Part #	Description	Qty.
1.9	5006345	3/8-16 Flanged Top-Lock Hex Nut	6
1.10	5034660	3/8-16 x 0.75 Flanged Hex Bolt	4
1.11	5034288	3/8-16 x 2.75 Hex Bolt (Full Thread)	2
1.12	5006362	3/8-16 Hex Jam Nut	2
1.13	5040026	Rubber Bumper, 3/8-16 Female Thread	2
1.14	5117167	#10-24 x 0.625 PH Truss Head Mach Screw	2
1.15	5051152	3/4" Black Nylon Loom Clamp	2
1.16	5006186	#10-24 Serrated Flanged Hex Nut	2
2	5281738	Kit, PX Boom Cradle	1
2.1	5034481	1/4-20 x 0.75 Carriage Bolt	8
2.2	5281750-CBK	PX Boom Cradle Weldment	2
2.3	5006344	1/4-20 Flanged Top-Lock Hex Nut	8
2.4	5046460	Tube Cap, 1 1/2 OD x 1.23-1.33 ID	2
2.5	5034065	5/16-18 x 1.5 x 2.1875 Round U-Bolt	4
2.6	5038957-CBK	Wet Boom Clamp Bracket - PX Boom	2
2.7	5040028	Rubber Bumper 1.00 OD x 3/16 Tall	4
2.8	5006389	5/16-18 Flanged Top Lock Hex Nut	8
2.9	5101376	Lynch Pin, 1/4" Dia. X 2 1/8" Usable Length	2

Important - PX Series Booms are equipped with Safety Transport Lynch Pins (Ref. 2.9).

Lynch pins must be removed before unfolding boom.

Lynch pins must be installed once PX Boom is folded before transport.

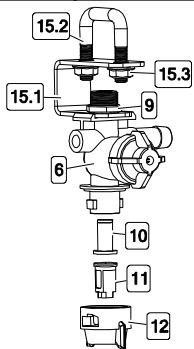
Failure to follow these procedures can result in boom or property damage.



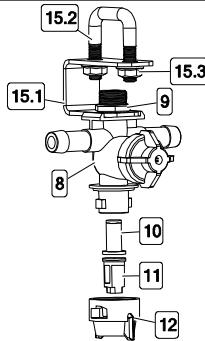
Note: To Adjust PX Boom Wing Stop, loosen jam nut (Ref. 1.12) and turn bolt (Ref. 1.11) in or out to set boom stop rubber bumper (Ref. 1.13).

PX4 Boom Single QuickJet Diaphragm (QJD) Component Breakdown & Parts List

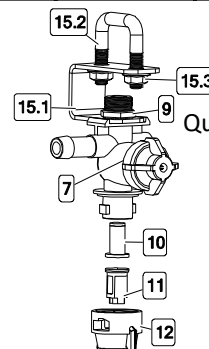
Ref. #	Part #	Description	PX413-QJD	PX416-QJD	PX420-QJD	PX423-QJD
			Qty.	Qty.	Qty.	Qty.
1	5281736	Assembly PX Boom 4-Nozzle Center Section	1	1	1	1
2	5281732-CBK	PX Boom Wing Weldment, 2-Nozzle	2	-	-	-
3	5281733-CBK	PX Boom Wing Weldment, 3-Nozzle	-	2	-	-
4	5281731-CBK	PX Boom Wing Weldment, 4-Nozzle	-	-	2	-
5	5281734-CBK	PX Boom Wing Weldment, 5-Nozzle	-	-	-	2
6	5002489	Quick TeeJet Nozzle, 1/2" Single - Left	2	2	2	2
7	5002490	Quick TeeJet Nozzle, 1/2" Single - Right	2	2	2	2
8	5002491	Quick TeeJet Nozzle, 1/2" Single - Double	4	6	8	10
9	5006087	Locknut, Brass	8	10	12	14
10	5116019	Nozzle Strainer, Blue (50 Mesh)	8	10	12	14
11	AIXR11003VP	Air-Induction XR Flat Spray Tip	8	10	12	14
12	5046167	TeeJet Quick Cap (Blue) w/Gasket	8	10	12	14
13	EPDM12	1/2" - 200 PSI EPDM Spray Hose (Total Ft.)	53'	56'	59'	62'
14	HC08	Clamp, 1/2" Hose	15	19	23	27
15	5281730	Parts Bag PX Boom Clamp	8	10	12	14
15.1	5095981-CBK	QuickJet Nozzle Body Mount PX Boom	1	1	1	1
15.2	5034855	5/16-18 x 1.125" x 1.50" Square U-Bolt	1	1	1	1
15.3	5006307	5/16-18 Serrated Flanged Hex Nut	2	2	2	2
16	5086026	Poly Hose Tee, 1/2" HB	1	1	1	1



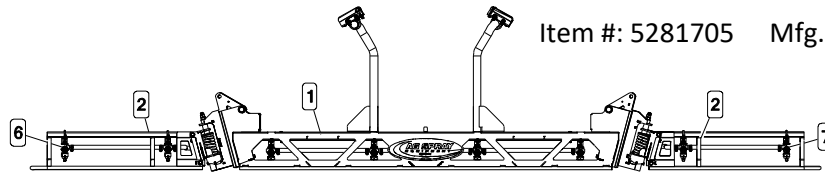
Quick TeeJet
Nozzle
Left



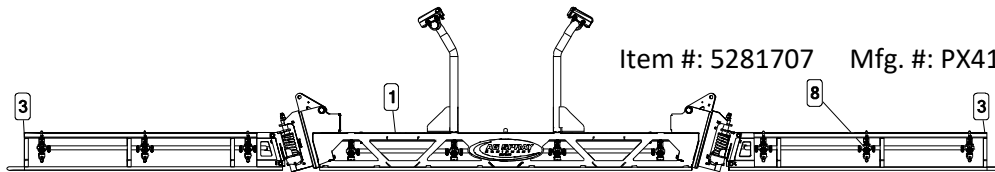
Quick TeeJet
Nozzle
Double



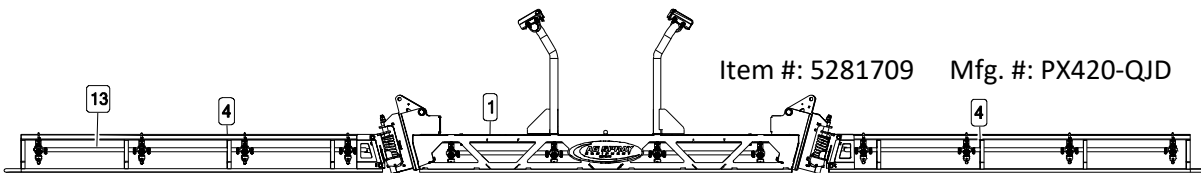
Quick TeeJet
Nozzle
Right



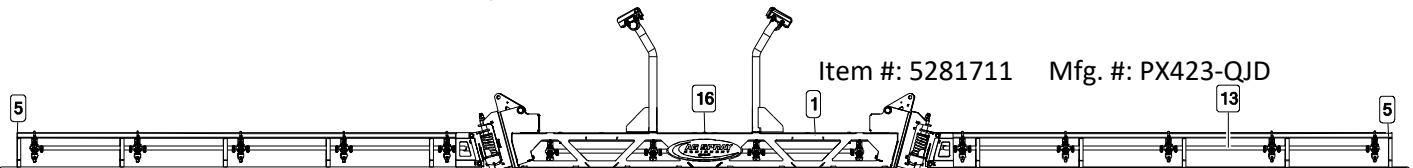
Item #: 5281705 Mfg. #: PX413-QJD



Item #: 5281707 Mfg. #: PX416-QJD



Item #: 5281709 Mfg. #: PX420-QJD



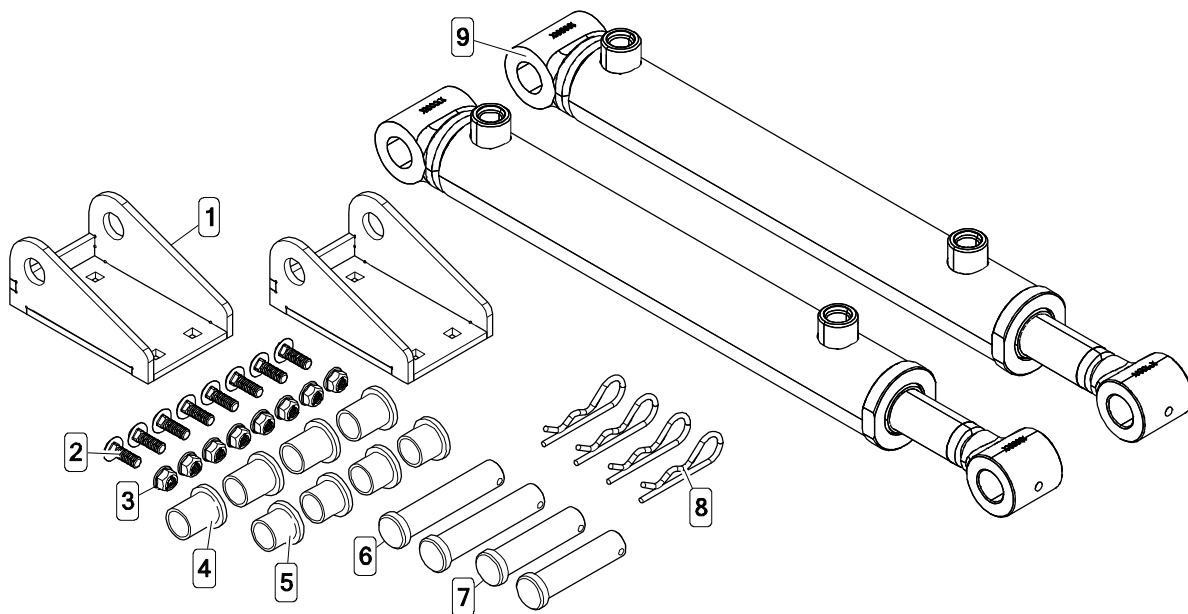
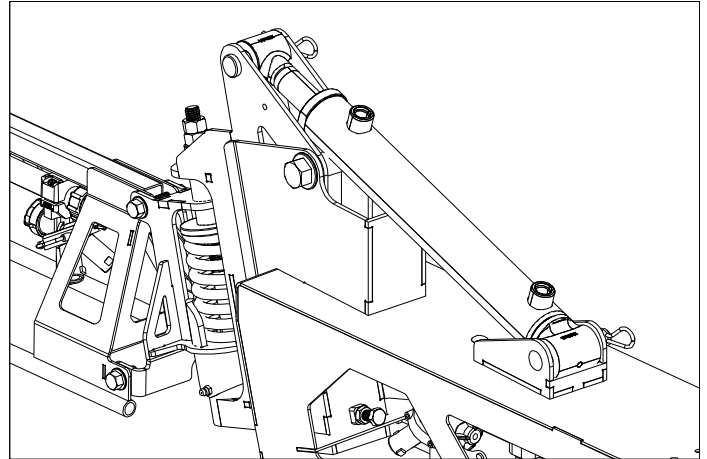
Item #: 5281711 Mfg. #: PX423-QJD

PX4 Boom Power Fold Options

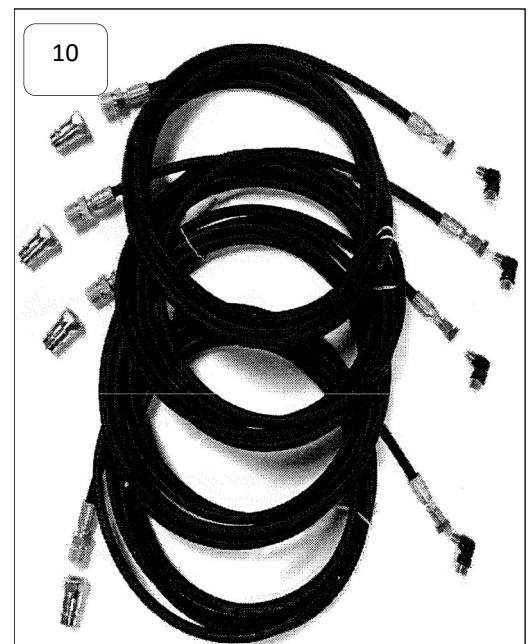
PX Boom Hydraulic Fold Option (Item # 5281777, 5281778, 5281779)

Note: PX Boom Hydraulic Fold Kits are equipped with restrictors in the elbow fittings threaded into the cylinders. Restrictors limit cylinder travel speed to prevent premature boom damage.

Warning: Always be aware of surroundings when folding and unfolding boom, especially overhead powerlines.



Ref. #	Part #	Description	Qty.
1	5281747-CBK	PX Boom Cylinder Mount	2
2	5034481	1/4-20 x 0.75 Carriage Bolt	8
3	5006344	1/4-20 Flanged Top-Lock Hex Nut	8
4	5031511	Flanged Sleeve Bearing, .625 ID x 1"	4
5	5031512	Flanged Sleeve Bearing, .625 ID x .750"	4
6	5101374-CNC	Clevis Pin, 5/8" Dia. X 2.75 Usable Length	2
7	5101375-CNC	Clevis Pin, 5/8" Dia. X 2.25 Usable Length	2
8	5101065	Hair Pin, #211 x 2.50	4
9	5061060	Hydraulic Cylinder, 1.5" c 10", 1.00" Rod	2
10A	5281771	Hydraulic Hose Kit, 13' for PX-HF Boom	-
10B	5281772	Hydraulic Hose Kit, 18' for PX-HF Boom	-
10C	5281773	Hydraulic Hose Kit, 22' for PX-HF Boom	-



Ref. #	Part #	Description	Qty.
1	5281747-CBK	PX Boom Cylinder Mount Weldment	2
2	5034481	1/4-20 0.75 Carriage Bolt	8
3	5006344	1/4-20 Flanged Top-Lock Hex Nut	8
4	5031513	Sleeve Bearing, .625 ID x 0.877 OD x .625" Long	4
5	5031514	Sleeve Bearing, .625 ID x 0.877 OD x .50" Long	4
6	5101374-CNC	Clevis Pin, 5/8" Dia. X 2.75 Usable Length	2
7	5101375-CNC	Clevis Pin, 5/8" Dia. X 2.25 Usable Length	2
8	5101065	Hair Pin, #211 x 2.50	4
9	5143550	KYB Actuator, 40-20 x 250 mm Stroke	2
10	5157269	Control Box w/30 Amp Auto-Reset Fuse	1
11	5043038	Power Cable 8' for PX Electric Fold	1
12	5043039	Output End Cable 8' for PX Electric Fold	1
13	5043040	Output Extension Cable 10' for PX Electric Fold	1
14	5043041	Output Extension Cable 5' for PX Electric Fold	OPT
15	5157270	Fuse 30 Amp Auto-Reset	1

**PX Boom 12 Volt Electric Fold Option
(Item # 5281774, 5281775, 5281776)**

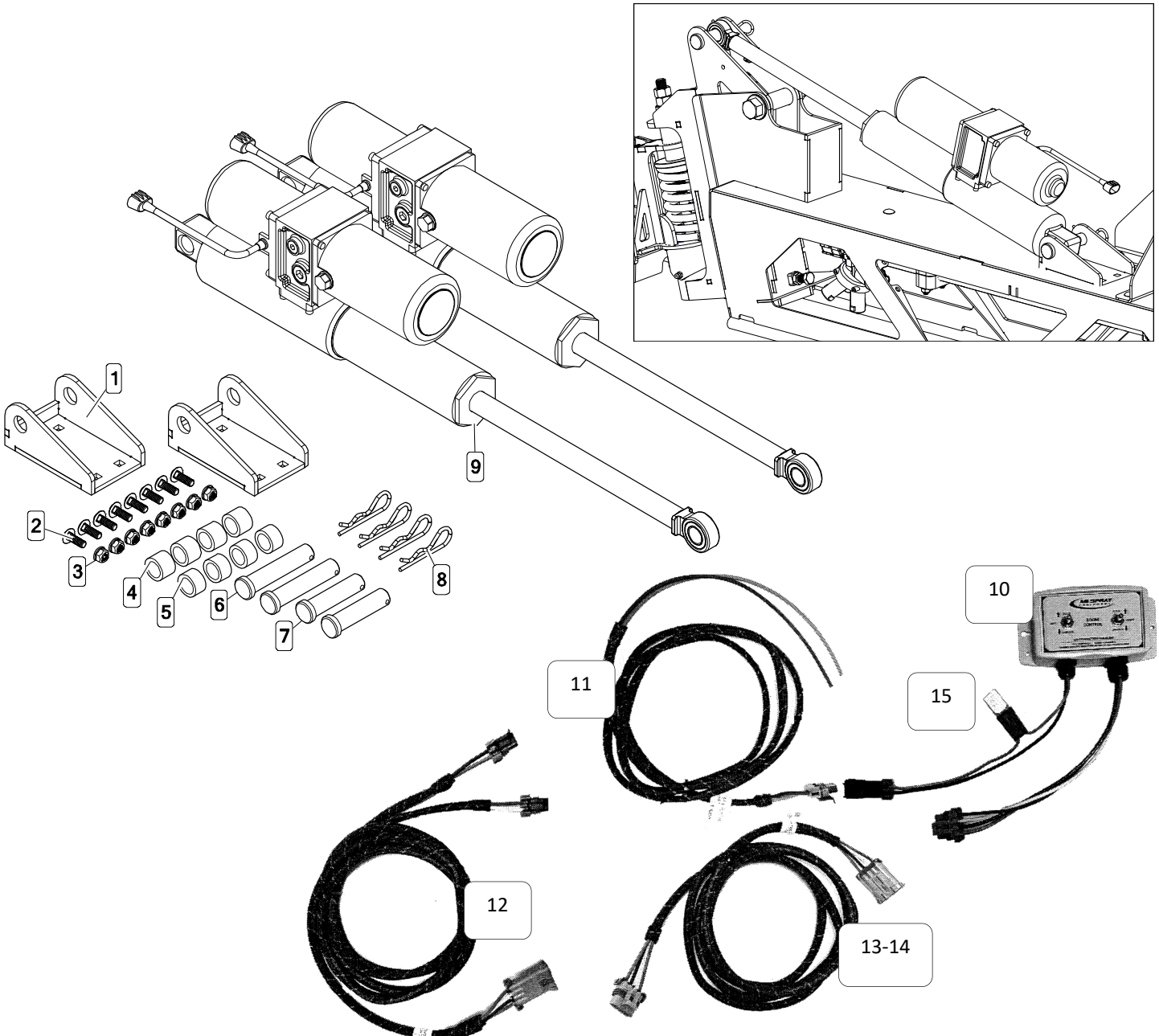
12V Connection Guideline:

Red = Positive (+) Black = Ground (-)
Connect Directly to Battery or Minimum 30 Amp Power Supply.

30 Amp Auto-Reset Fuse: If while folding or unfolding the boom stops moving, release the boom switch for 3 to 5 seconds and the fuse will auto-reset. Resume normal operation.

**Yellow - Green 2 Pin Plug = Right 12V Actuator/Switch
Red - Black 2 Pin Plug = Left 12V Actuator/Switch**

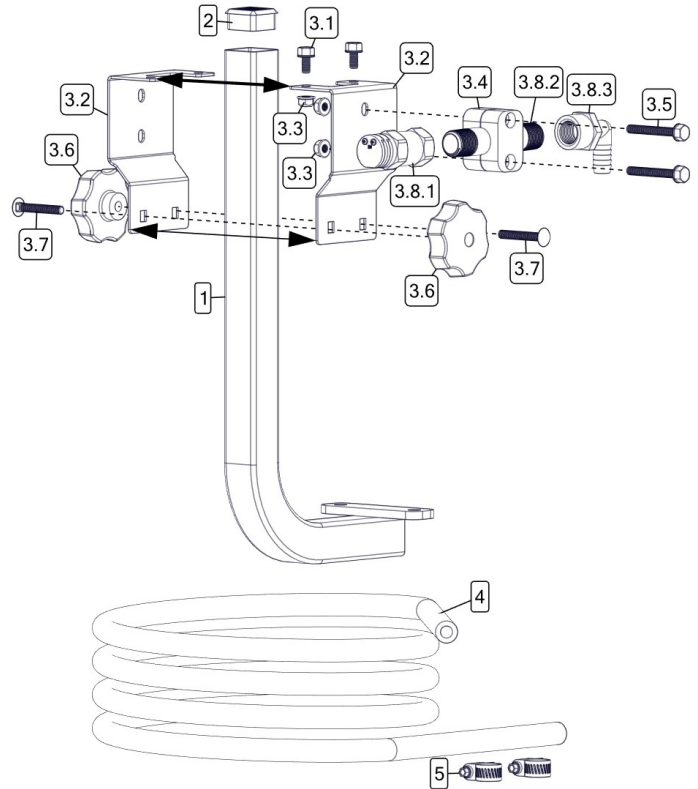
Warning: Always be aware of surroundings when folding and unfolding boom, especially overhead powerlines.



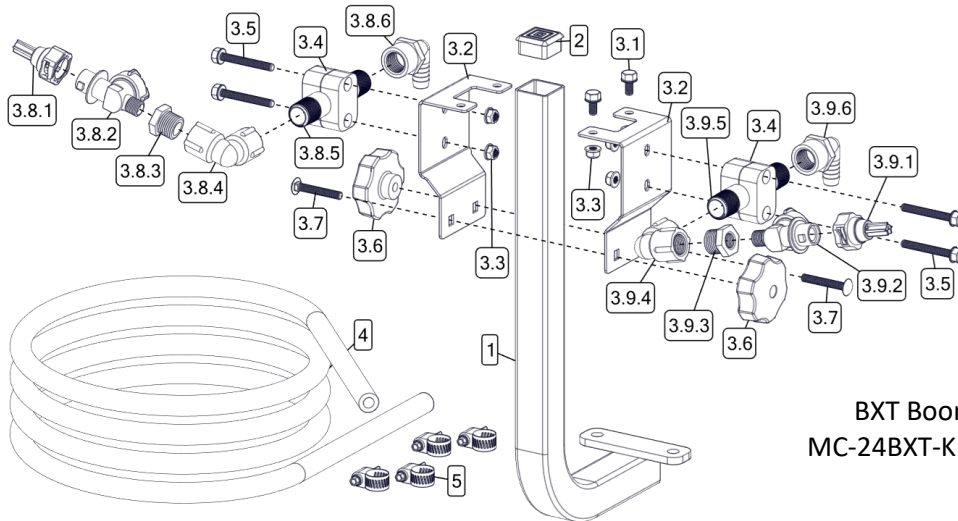
Hamilton Boomless Assembly Component Breakdown & Parts List

Hamilton #20 Boomless Kit MC1-20HAM-KIT (5282525)

Ref. #	Part #	Description	Qty
1	5070259-BLK	MC 3-PT BXT Boom Bracket	1
2	5046448	Square Cap, Black (1 1/4" Square Tube)	1
3	5282524	Hamilton #20 Boomless Assembly	1
3.1	5034609	1/4-20 x 0.50 Fling Hex Bolt	2
3.2	5095983-BLK	Boomless Nozzle Mount	2
3.3	5006344	1/4-20 Fling Top-Lock Hex Nut	4
3.4	5051174	1/2" Wet Boom Clamp (2-Piece)	1
3.5	5034615	1/4-20 x 2.00 Fling Hex Bolt (Full Thread)	2
3.6	5088026	5 Lobe Knob 1/4-20UNC	2
3.7	5034807	1/4-20 x 1.75 Carriage Bolt	2
3.8	5282523	Hamilton #20 Boomless Kit	1
3.8.1	654201	W.L. Hamilton #20 Boomless Nozzle	1
3.8.2	5011258	1/2" Pipe Nipple, 4" Long, 304 SS	1
3.8.3	5149158	Poly Elbow, 1/2" FNPT x 1/2" Hose Barb	1
4	5020099	Hose, 3/8"-2 Brd. x 25 Ft.	1
5	HC08	Hose Clamp, 1/2"	2



BXT Boomless Nozzle Component Breakdown & Parts List



**BXT Boomless Kit
MC-24BXT-KIT (5282522)**

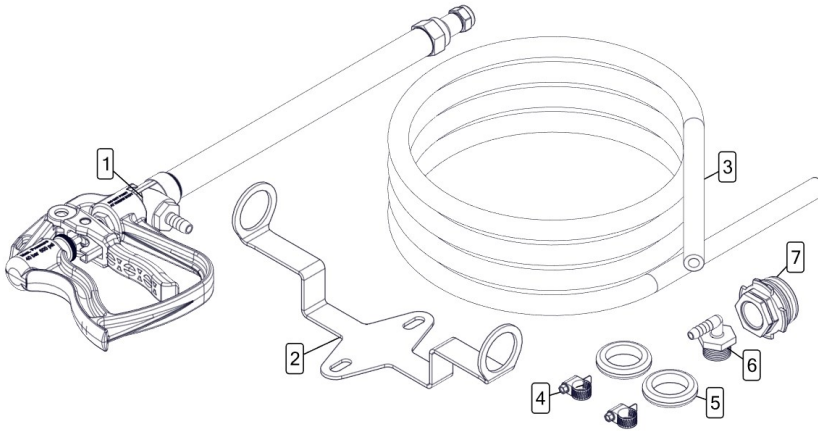
Ref. #	Part #	Description	Qty
1	5070259-BLK	MC 3-PT BXT Boom Bracket	1
2	5046448	Square Cap, Black (1 1/4" Square Tube)	1
3	5282521	BXT Boomless Assembly	1
3.1	5034609	1/4-20 x 0.50 Fling Hex Bolt	2
3.2	5095983-BLK	Boomless Nozzle Mount	2
3.3	5006344	1/4-20 Fling Top-Lock Hex Nut	6
3.4	5051174	1/2" Wet Boom Clamp (2-Piece)	2
3.5	5034615	1/4-20 x 2.00 Fling Hex Bolt (Full Thread)	4
3.6	5088026	5 Lobe Knob 1/4-20UNC	2
3.7	5034807	1/4-20 x 1.75 Carriage Bolt	2
3.8	5282520	BXT Boomless Nozzle Assembly (LH)	1
3.8.1	FC-XT024	Hypro Fast Cap Boom X-tender (Yellow)	1
3.8.2	5002380	QJ Diaphragm Check Valve 1/4 MNPT	1
3.8.3	5041073	Poly Reducing Bushing, 1/2" MNPT x 1/4" FNPT	1

Ref. #	Part #	Description	Qty
3.8.4	5010236	Poly Elbow, 1/2" FNPT x 1/2" FNPT	1
3.8.5	5011258	1/2" Pipe Nipple, 4" Long, 304 SS	1
3.8.6	5149158	Poly Elbow, 1/2" FNPT x 1/2" Hose Barb	1
3.9	5282519	BXT Boomless Nozzle Assembly (RH)	1
3.9.1	FC-XT024	Hypro Fast Cap Boom X-tender (Yellow)	1
3.9.2	5002380	QJ Diaphragm Check Valve 1/4 MNPT	1
3.9.3	5041073	Poly Reducing Bushing, 1/2" MNPT x 1/4" FNPT	1
3.9.4	5010236	Poly Elbow, 1/2" FNPT x 1/2" FNPT	1
3.9.5	5011258	1/2" Pipe Nipple, 4" Long, 304 SS	1
3.9.6	5149158	Poly Elbow, 1/2" FNPT x 1/2" Hose Barb	1
4	5020099	Hose, 3/8"-2 Brd. x 25 Ft.	1
5	HC08	CLAMP, 1/2" HOSE	4

Handgun Kits Component Breakdown & Parts List

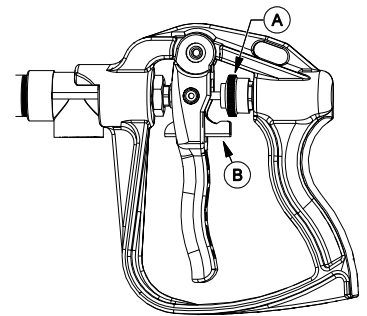
MC-PRO22-HG-KIT MC 3-PT 22" Pro Series Handgun Kit #5282518

- No Drip Shut Off
- Easy Pull Trigger Handle
- Chemical Resistant Construction
 - 600 PSI, 8 GPM
- 38' Horizontal Throw & 27' Vertical Throw

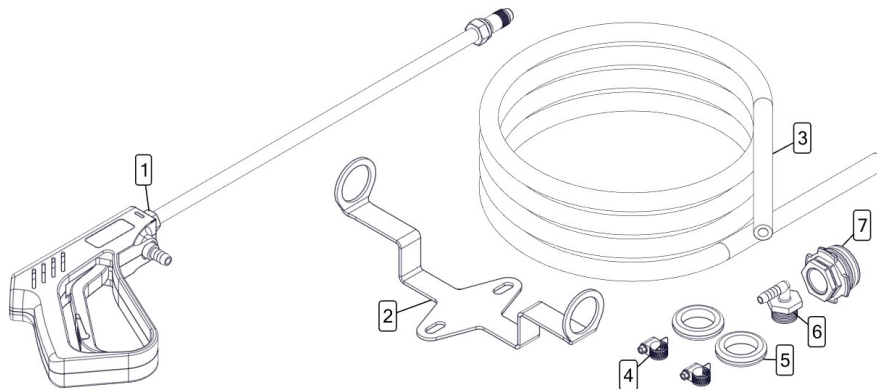


Ref. #	Part #	Description	Qty
1	5163150	22" HP Spray Gun with 3/8" Hose Barb	1
1.1	5163136	High Pressure Aluminum Spray Gun 22"	1
1.2	5067130	Poly Fitting, 1/2" MNPT x 3/8" HB	1
2	5070257-BLU	Handgun & Hose Bracket	1
3	5020099	Hose, 3/8"-2 Brd. x 25 Ft.	1
4	HC06	Hose Clamp (3/8")	2
5	5075014	Rubber Grommet (Black)	2
6	5010206	Poly Elbow, 3/4" MNPT x 3/8" HB	1
7	5149213	3/4" FNPT T5 Male Fitting w/EPDM O-Ring	1

To adjust the spray pattern, the nut needs to be adjusted (Ref. A). Spinning it off, towards the lever, will make a cone pattern and spinning it on, away from the lever, will make a stream. The lever (Ref. B), is the lock that can be used to lock the lever when pulled, holding the valve open. Squeezing the trigger, will release the lock.



MC-406-HG-KIT MC 3-PT Deluxe Handgun Kit #5282546

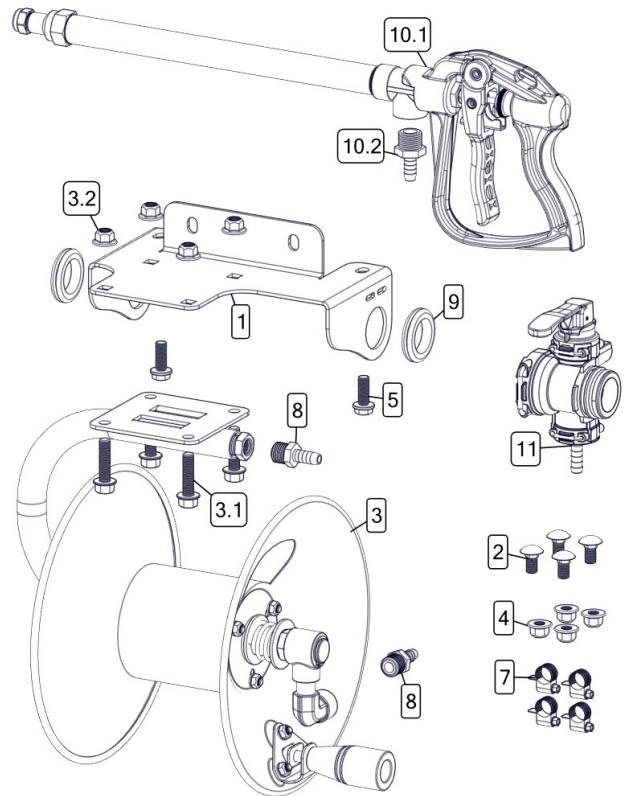


Ref. #	Part #	Description	Qty
1	5273959	Deluxe Pistol-Grip Handgun w/X-26 Tip	1
1.1	5018331	Brass Handgun Tip (X-26)	1
2	5070257-BLU	HANDGUN & HOSE BRACKET	1
3	5020099	Hose, 3/8"-2 Brd. x 25 Ft.	1
4	HC06	CLAMP, 3/8" HOSE	2
5	5075014	Rubber Grommet (Black)	2
6	5010206	Poly Elbow, 3/4" MNPT x 3/8" HB	1
7	5149213	3/4" FNPT T5 Male Fitting w/EPDM O-Ring	1

Hose Reel Kit Component Breakdown & Parts List

Ref. #	Part #	Description	Qty
1	5070263-BLK	MC2 Hose Reel Mount	1
2	5034526	3/8-16 x 0.75 Carriage Bolt	4
3	5020577	General Pump D30001	1
3.1	5034663	3/8-16 x 1.50 Fling Hex Bolt	4
3.2	5006345	3/8-16 Fling Top-Lock Hex Nut	4
4	5006345	3/8-16 Fling Top-Lock Hex Nut	4
5	5117307	3/8-16 x 1.00 Fling Hex Bolt	2
6	5020159	Hose, 3/8" - 1 Brd. x 50'	1
7	HC06	Hose Clamp (3/8")	4
8	5067135	Poly Fitting, 3/8" MNPT x 3/8" HB	2
9	5075014	Rubber Grommet (Black)	2
10	5163150	22" HP Spray Gun with 3/8" Hose Barb	1
10.1	5163136	High Pressure Aluminum Spray Gun 22"	1
10.2	5067130	Poly Fitting, 1/2" MNPT x 3/8" HB	1
11	5282496	ARAG Valve w/3/8" HB	1

MC-M50HR22PS-KIT #5282547



Specifications	
3/8" Hose Capacity	50 Ft.
Swivel Pressure Rating	4000 PSI
Inlet	3/8" NPT-F
Outlet	3/8" NPT-F
Max. Temp	225° F

Features:

Direct hand-crank rewind w/locking pin
Solid steel construction

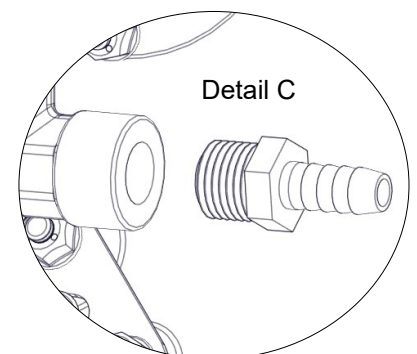
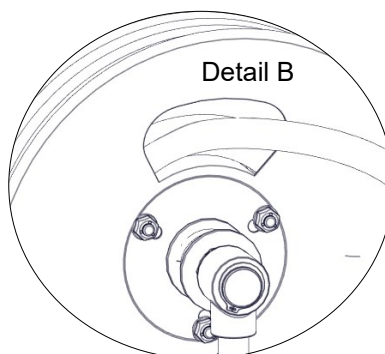
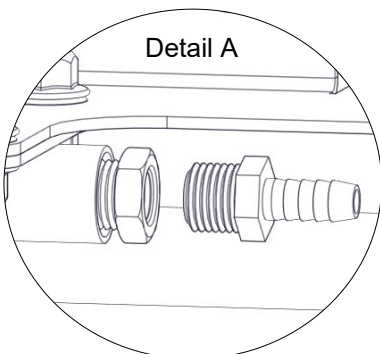
Detail A: Thread the 3/8" MNPT x 3/8" hose barb poly fitting (using plumber's Teflon tape on the threads) into the input connection of the reel. Attach the supply hose to the poly elbow and secure with a hose clamp.

Detail B: Slip one end of 3/8" x 50' hose through opening in reel.

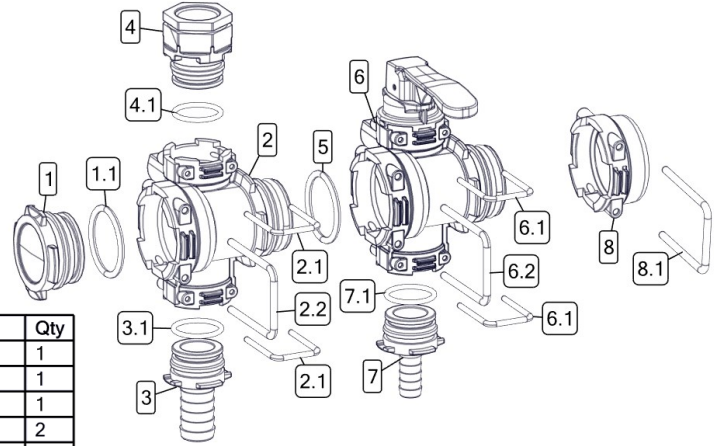
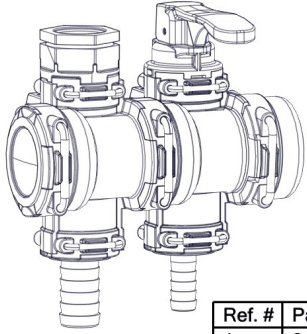
Detail C: Thread the 3/8" x 3/8" poly fitting (using plumber's Teflon tape on the threads) into the port on the side of the reel that the hose connects to. Attach the end of hose from Detail B to the poly fitting and secure with a hose clamp.

Attach the other end of hose to the spray gun. Place spray gun in grommet holders for storage.

The hose reel is now assembled and ready for use.



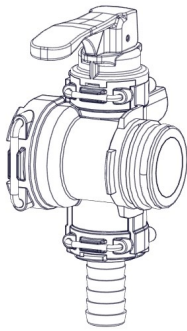
Valve Assembly Component Breakdown & Parts List



Ref. #	Part #	Description	Qty
1	219150	T5 Male Plug Fitting	1
1.1	5072548	T5 O-Ring Viton	1
2	463T001.010	Single 463T Body Bare	1
2.1	5069006	T3 Fork D.3 Dist, 29	2
2.2	5069007	T5 Fork D.3 Dist, 42	1
3	1091320	T3 Male x 3/4" Hose Barb Straight	1
3.1	5072545	T3 O-Ring EPDM	1
4	239133N	3/4" FNPT x T3 Male Fitting	1
4.1	5072545	T3 O-Ring EPDM	1
5	5072548	T5 O-Ring Viton	1
6	5143560	1-Sec. Manual Valve T5XT3	1
6.1	5069006	T3 Fork D.3 Dist, 29	2
6.2	5069007	T5 Fork D.3 Dist, 42	1
7	1091313	T3 Male x 1/2" Hose Barb Straight	1
7.1	5072545	T3 O-Ring EPDM	1
8	219050	T5 Female Blank Cap	1
8.1	Sweep1	T5 Fork D.3 Dist, 42	1

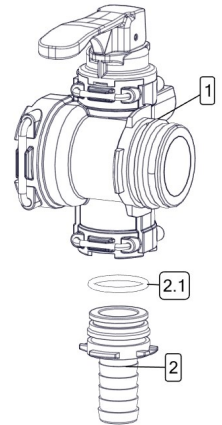
**MC Base 1 Section Control
Two Sec Valve Assembly
#5282495**

Manual On/Off Section Valve Component Breakdown & Parts List

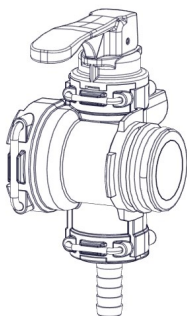


**Adder 1-Sec Valve Assembly w/1/2" HB
#5282497**

Ref. #	Part #	Description	Qty
1	5143560	1-Sec. Manual Valve T5XT3 (Yellow Lever)	1
2	1091313	T3 Male x 1/2" Hose Barb Straight	1
2.1	5072545	T3 O-Ring EPDM	1

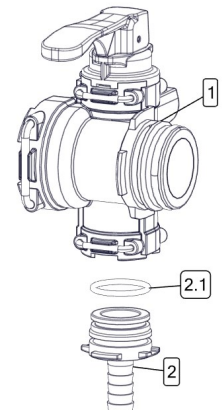


Handgun Valve Component Breakdown & Parts List



**Handgun 1-Sec Valve Assembly w/3/8" HB
#5282496**

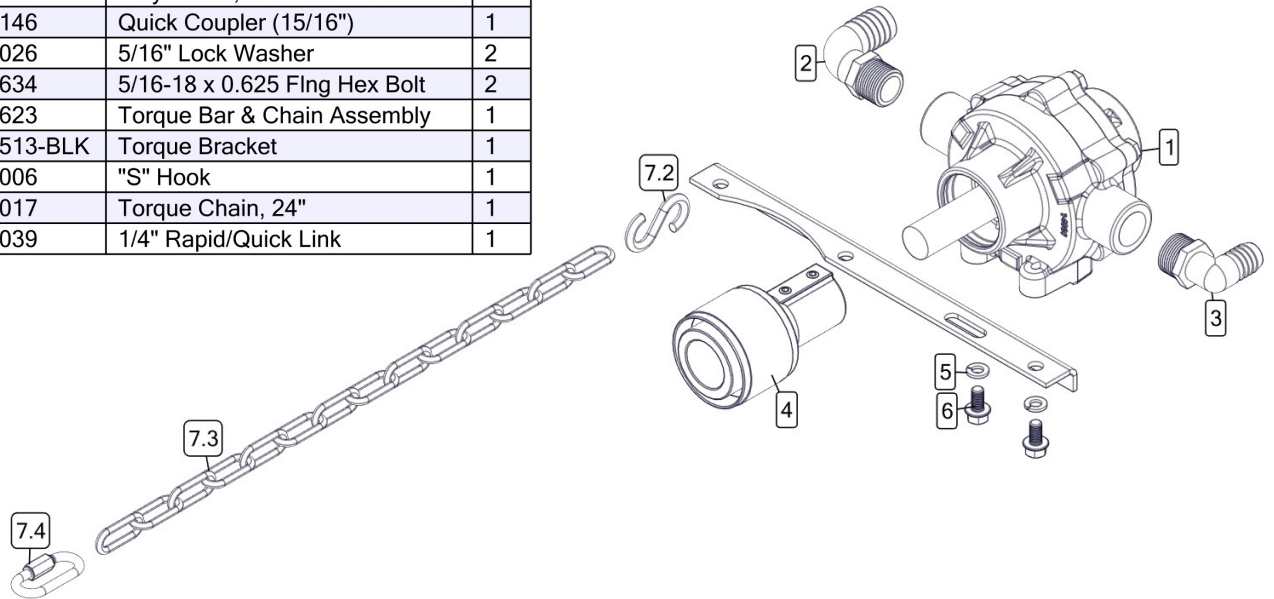
Ref. #	Part #	Description	Qty
1	5143560	1-Sec. Manual Valve T5XT3	1
2	1091310	T3 Male x 3/8" Hose Barb Straight	1
2.1	5072545	T3 O-Ring EPDM	1



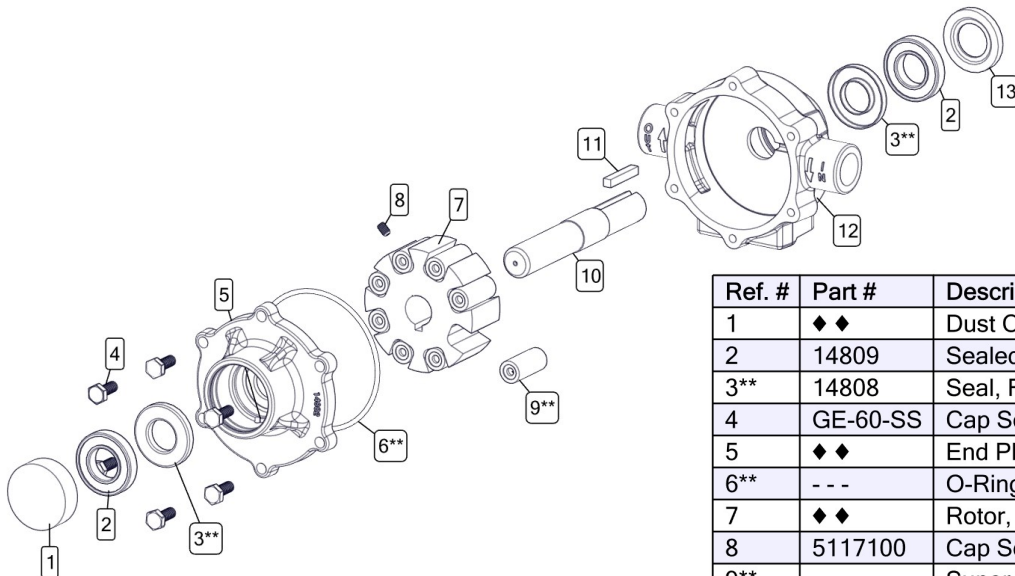
RP-800 Series 8-Roller Pump Component Breakdown & Parts List

Ref. #	Part #	Description	Qty
1	RP-800C-BLU	8-Roller Pump, Cast Iron	1
2	5010210	Poly Elbow, 3/4" MNPT x 1" HB	1
3	5010209	Poly Elbow, 3/4" MNPT x 3/4" HB	1
4	5057146	Quick Coupler (15/16")	1
5	5016026	5/16" Lock Washer	2
6	5034634	5/16-18 x 0.625 Fing Hex Bolt	2
7	5271623	Torque Bar & Chain Assembly	1
7.1	5038513-BLK	Torque Bracket	1
7.2	5082006	"S" Hook	1
7.3	5049017	Torque Chain, 24"	1
7.4	5094039	1/4" Rapid/Quick Link	1

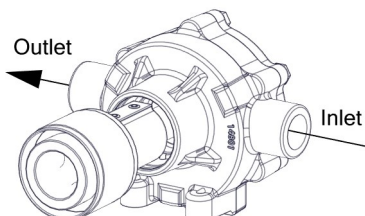
RP-800C-B-PUMP-KIT #5282527



Imperial	0 PSI		50 PSI		100 PSI		150 PSI		200 PSI		250 PSI		300PSI	
	GPM	HP	GPM	HP	GPM	HP	GPM	HP	GPM	HP	GPM	HP	GPM	HP
540 RPM	12	0.33	11.1	0.74	10.3	1.25	9.5	1.77	8.6	2.26	7.8	2.78	7.1	3.3
1000 RPM	18.3	0.89	17.5	1.26	16.9	1.95	16.1	2.65	15.5	3.4	14.5	4.2	13.7	5.3
1200 RPM	22.5	1.56	22.0	1.78	21.3	2.53	20.6	3.5	20.0	4.2	18.9	5.3	18.0	6.1



Ref. #	Part #	Description	Qty
1	◆◆	Dust Cap, Cover	1
2	14809	Sealed Ball Bearing	2
3**	14808	Seal, FKM Viton	2
4	GE-60-SS	Cap Screw, 5/16" x 3/4"	6
5	◆◆	End Plate, Cast Iron	1
6**	---	O-Ring, Body Seal	1
7	◆◆	Rotor, Cast Iron (Includes #9)	1
8	5117100	Cap Screw, 5/16"nc x 5/16" Allen Head	1
9**	---	Super Roller (Standard)	8
10	◆◆	Shaft, SS	1
11	◆◆	Key, 1/4" x 1/4" x 1-1/2"	1
12	◆◆	Body, Cast Iron	1
13	◆◆	Dust Cap, Body	1

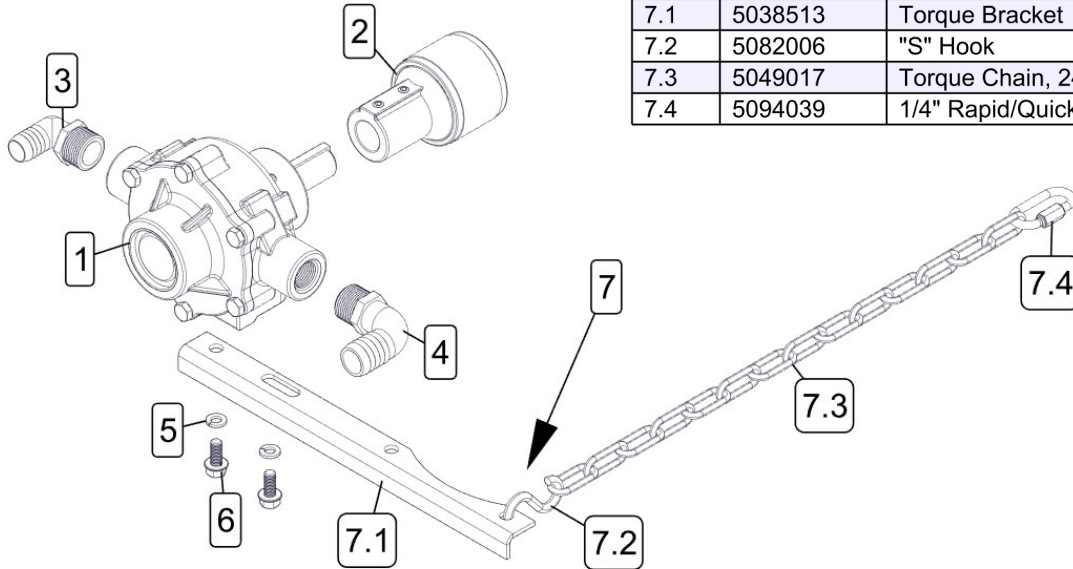


** Available only in Repair Parts Kit #RK-RP-800
Repair Kit includes: Item 3 (Qty. 2), Item 6 and Item 9 (Qty. 8).

◆◆ Only Available in Complete Assembly

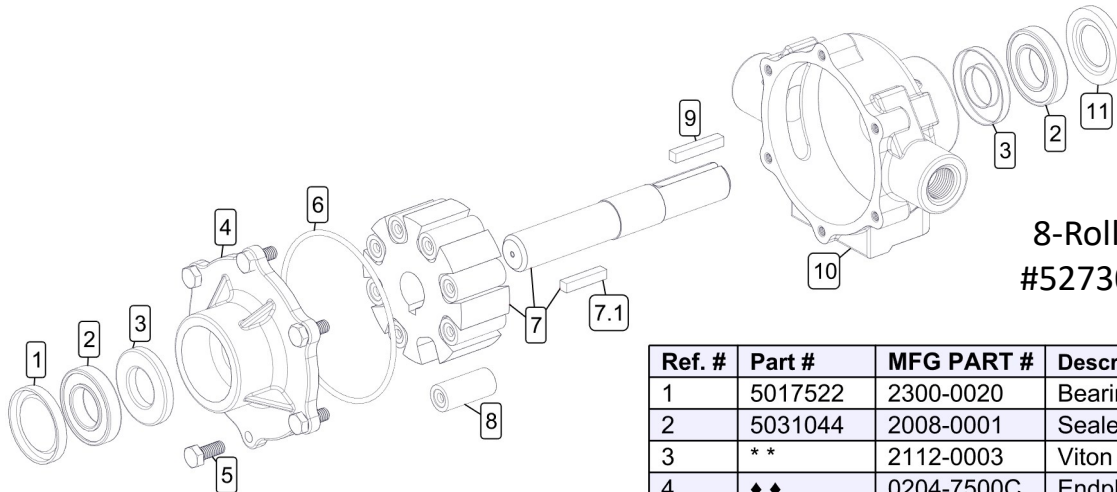
7560XL Series 8-Roller Pump Component Breakdown & Parts List

7560XL-PUMPKIT 5276935



Ref. #	Fimco Part #	Description	Qty
1	5273025	8 Roller Silvercast Pump	1
2	5057146	Quick Coupler (15/16")	1
3	5010209	Poly Elbow, 3/4" MNPT x 3/4" HB	1
4	5010210	Poly Elbow, 3/4" MNPT x 1" HB	1
5	5016026	Lockwasher, 5/16"	2
6	5117323	H.H.C.S. Flanged 5/16"-18nc x 3/4" Long	2
7	5271623	Torque & Chain Assy	1
7.1	5038513	Torque Bracket	1
7.2	5082006	"S" Hook	1
7.3	5049017	Torque Chain, 24"	1
7.4	5094039	1/4" Rapid/Quick Link	1

Pump Speed	0 PSI		50 PSI		100 PSI		150 PSI		200 PSI		250 PSI		300PSI	
	GPM	HP	GPM	HP	GPM	HP	GPM	HP	GPM	HP	GPM	HP	GPM	HP
540 RPM	12	0.33	11.1	0.74	10.3	1.25	9.5	1.77	8.6	2.26	7.0	2.78	7.1	3.3
800 RPM	18.3	0.89	17.5	1.26	16.9	1.95	16.1	2.65	15.5	3.4	14.5	4.2	18.9	5.3
1000 RPM	22.5	1.56	22.0	1.78	21.3	2.53	20.6	3.5	20.0	4.2	18.9	5.3	18.0	6.1



Silver Cast 8-Roller Pump Assembly #5273025 (Hypro 7560XL)

Ref. #	Part #	MFG PART #	Description	Qty
1	5017522	2300-0020	Bearing Cover	1
2	5031044	2008-0001	Sealed Ball Bearing	2
3	**	2112-0003	Viton Seal (Standard)	2
4	◆◆	0204-7500C	Endplate (Cast Iron) w/Seal	1
5	5034038	- - -	H.H.C.S. 5/16"-18nc x 3/4"	6
6	**	1720-0014	O-Ring Gasket for Endplate	1
7	5172113	0308-7560C	Rotor w/Shaft Assembly	1
7.1	1610-0059	1610-0059	Key (Stainless Steel)	1
8	5112030	1005-0004	Super Roller (Standard)	8
9	5089012	1610-0005	Key	1
10	◆◆	0104-7500C	Body (Cast Iron) w/Seal	1
11	5017523	2300-0022	Shaft Bearing Cover	1

** Available only in Repair Parts Kit #7771794 (3430-0381)
(Super Rollers are also included in Repair Parts Kit)

◆◆ Only Available in Complete Assembly

MC-Electric Control Conversion Kits

MC-1E-CONVRSN-KIT (5282543)

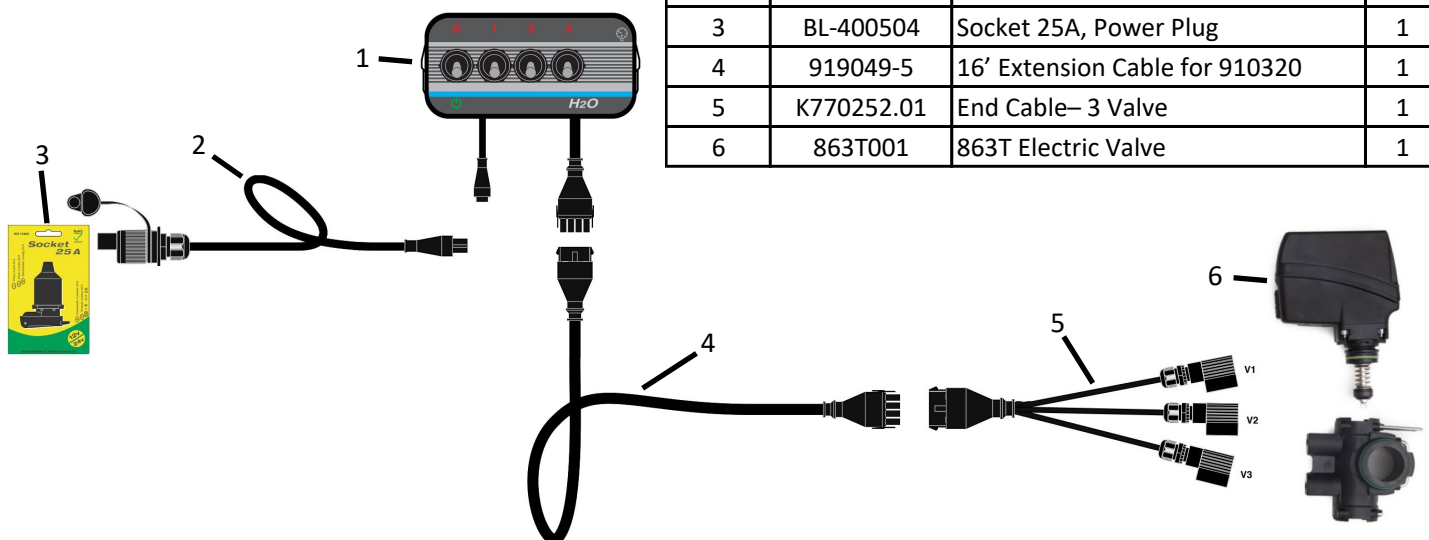
MC-2E-CONVRSN-KIT (5282544)

Conversion from Manual Controls to Electric Boom Section Control:

1. Remove the fork wire clip below the manual lever
2. Lift the manual lever out of the manifold
3. Insert the electric motor with electric connection facing forward making sure the alignment grooves match up and motor is down completely
4. Reinstall the fork wire clip now holding the electric motor in place
5. Connect the 3-tab electric plugs to the electric motor(s) using the gasket and screw included with the wire harness
6. Mount the control box in the tractor
7. Plug power cord into 12VDC convenience plug. If tractor does not have one, install the socket 25A in the tractor according to the diagram on page 7
8. Connect wiring harness and power cord to control box
9. Test control box making sure all valve(s) function when the toggle switches and master switch are actuated.

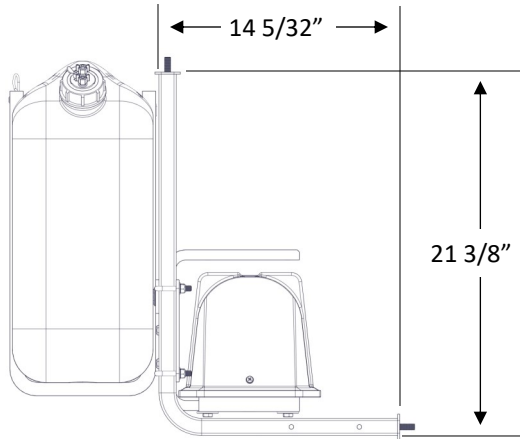


Ref. #	Item #	Description	Qty.
1	910320	Control Box, Up to 3 Section	1
2	901208.01	Power Cord	1
3	BL-400504	Socket 25A, Power Plug	1
4	919049-5	16' Extension Cable for 910320	1
5	K770252.01	End Cable- 3 Valve	1
6	863T001	863T Electric Valve	1

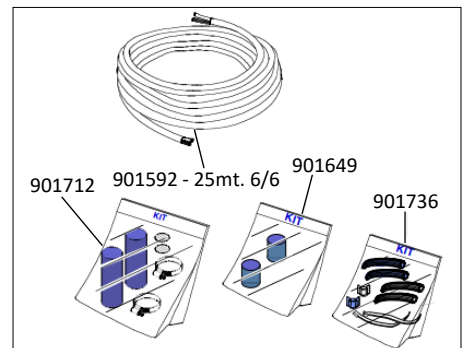
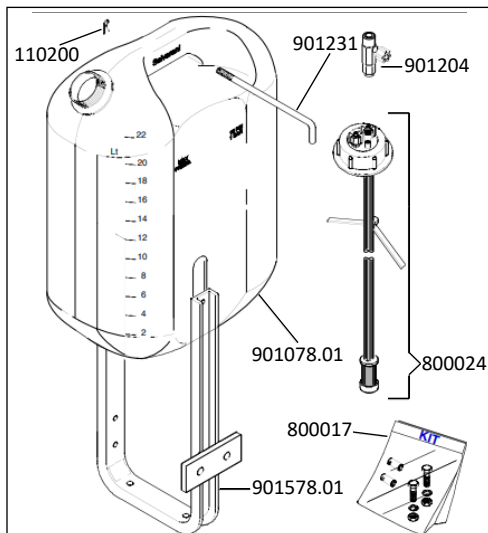
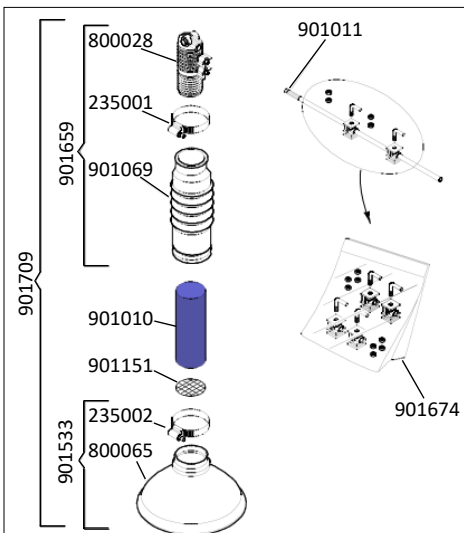
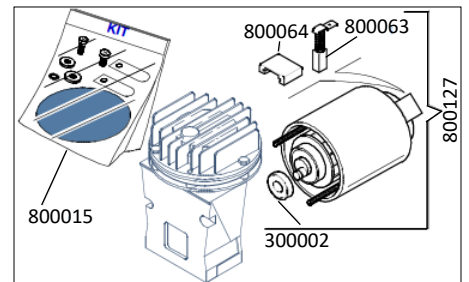
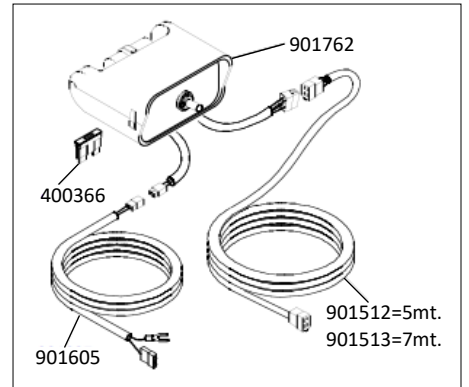
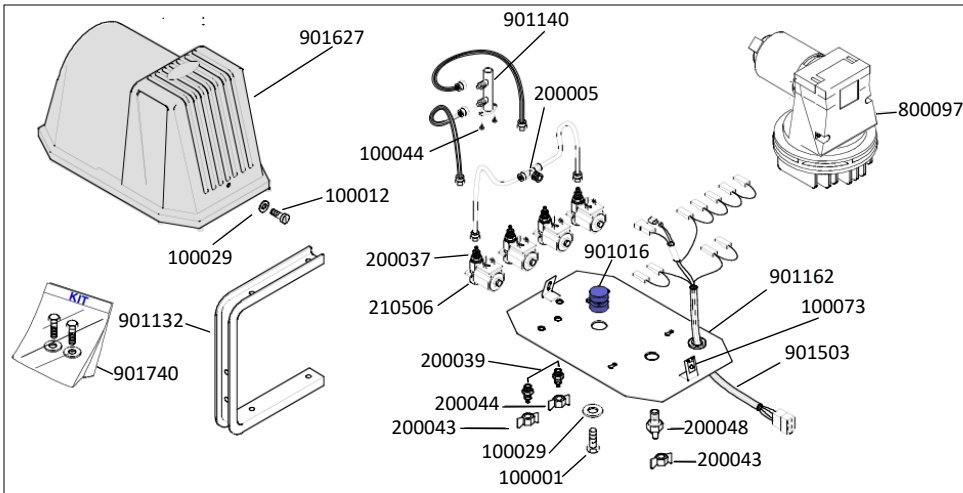
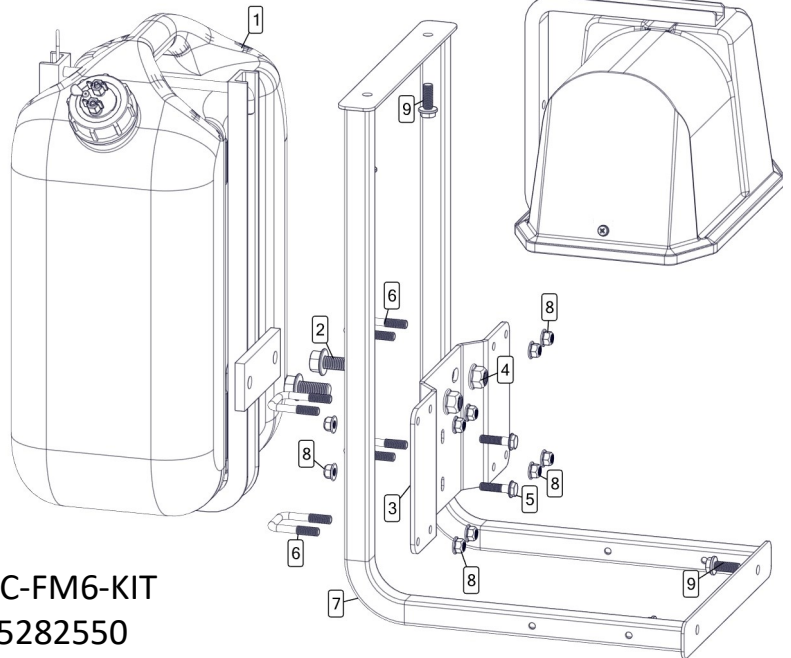


Foam Marker Option Components & Breakdown

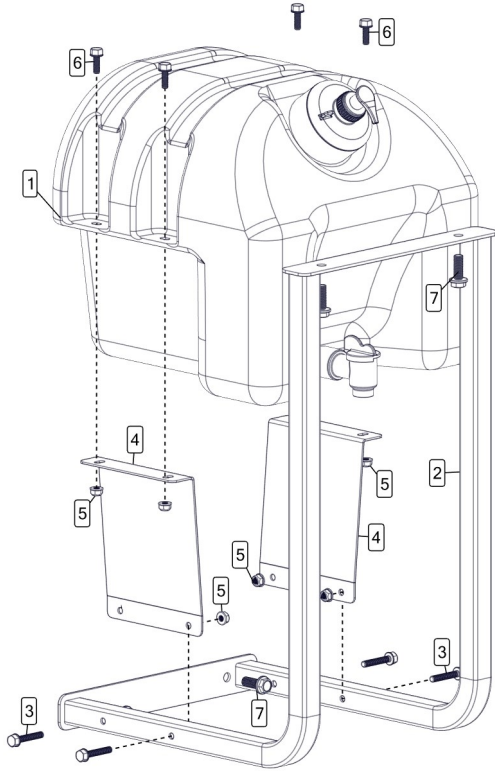
Ref. #	Part #	Description	Qty
1	5303182	Salvarani TJ EV24 6.4 Gallon Foam Marker	1
2	5034691	1/2-13 x 1.25 Flng Hex Bolt	2
3	5070267-BLK	MC2 Foam Marker Mounting Bracket	1
4	5006399	1/2-13 Flng Top-Lock Hex Nut	2
5	5034637	5/16-18 x 1.25 Flng Hex Bolt	2
6	5034159	5/16-18 x 1.3125 x 1.875 Square U-Bolt	4
7	5282549-BLK	MC2 Accessory Frame Weldment	1
8	5006389	5/16-18 Flng Top-Lock Hex Nut	10
9	5117307	3/8-16 x 1.00 Flng Hex Bolt	4



MC-FM6-KIT
5282550

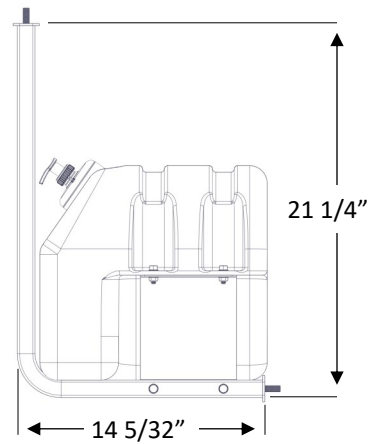
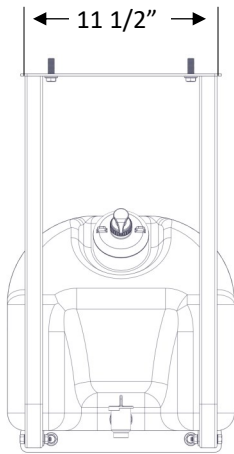


Handwash Option Components & Breakdown



MC-HANDWASH-KIT 5282548

Ref. #	Part #	Description	Qty
1	5169372	Lokhen 18L Hand Rinse Tank w/Soap Dispenser	1
2	5282549-BLK	MC2 Accessory Frame	1
3	5034613	1/4-20 x 1.50 Fling Hex Bolt	4
4	5070266-BLK	MC2 Rinse Tank Mount	2
5	5006344	1/4-20 Fling Top-Lock Hex Nut	8
6	5034610	1/4-20 x 0.75 Fling Hex Bolt	4
7	5117307	3/8-16 x 1.00 Fling Hex Bolt	4



Warranty Info

LIMITED WARRANTY FOR NEW AG SPRAY EQUIPMENT

WHO MAY USE THIS LIMITED WARRANTY. This limited warranty (the "Limited Warranty") is provided by Fimco, Inc. ("Ag Spray Equipment") to the original purchaser ("you") of the Equipment (as defined below) from Ag Spray Equipment or one of Ag Spray Equipment's authorized dealers. This Limited Warranty does not apply to any subsequent owner or other transferee of the Equipment. THIS LIMITED WARRANTY GIVES YOU SPECIFIC LEGAL RIGHTS, AND YOU MAY ALSO HAVE OTHER RIGHTS WHICH VARY FROM STATE TO STATE.

WHAT THIS LIMITED WARRANTY COVERS AND FOR HOW LONG. Ag Spray Equipment warrants that any new Equipment will be free from defects in material and workmanship for a period of **one (1) year** (homeowner), **90 days** (commercial user), after delivery of the Equipment to you (the "Warranty Period"). The Warranty Period is not extended if Ag Spray Equipment repairs or replaces the Equipment.

WHAT IS NOT COVERED BY THIS LIMITED WARRANTY. This Limited Warranty does not apply to: (1) used Equipment; (2) any Equipment that has been altered, changed, repaired or treated since its delivery to you, other than by Ag Spray Equipment or its authorized dealers; (3) damage or depreciation due to normal wear and tear; (4) defects or damage due to failure to follow Ag Spray Equipment's operator's manual, specifications or other written instructions, or improper storage, operation, maintenance, application or installation of parts; (5) defects or damage due to misuse, accident or neglect, "acts of God" or other events beyond Ag Spray Equipment's reasonable control; (6) accessories, attachments, tools or parts that were not manufactured by Ag Spray Equipment, whether or not sold or operated with the Equipment; or (7) rubber parts, such as tires, hoses and grommets.

HOW TO OBTAIN WARRANTY SERVICE. To obtain warranty service under this Limited Warranty, you must (1) provide written notice to Ag Spray Equipment of the defect during the Warranty Period and within **thirty (30) days** after the defect becomes apparent or the repair becomes necessary, at the following address: Ag Spray Equipment, 1000 Fimco Lane, North Sioux City, SD 57049; and (2) make the Equipment available to Ag Spray Equipment or an authorized dealer within a reasonable period of time. For more information about this Limited Warranty, please call: **800-274-1025**

WHAT REMEDIES ARE AVAILABLE UNDER THIS LIMITED WARRANTY. If the conditions set forth above are fulfilled and the Equipment or any part thereof is found to be defective, Ag Spray Equipment shall, at its own cost, and at its option, either repair or replace the defective Equipment or part. Ag Spray Equipment will pay for shipping and handling fees to return the repaired or replacement Equipment or part to you.

LIMITATION OF IMPLIED WARRANTIES AND OTHER REMEDIES. THE REMEDIES DESCRIBED ABOVE ARE YOUR SOLE AND EXCLUSIVE REMEDIES, AND AG SPRAY EQUIPMENT'S SOLE LIABILITY, FOR ANY BREACH OF THIS LIMITED WARRANTY. TO THE EXTENT APPLICABLE, ANY IMPLIED WARRANTIES, INCLUDING, WITHOUT LIMITATION, THE IMPLIED WARRANTIES OF MERCHANTABILITY AND FITNESS FOR A PARTICULAR PURPOSE, SHALL BE LIMITED IN DURATION TO THE WARRANTY PERIOD, AND THE REMEDIES AVAILABLE FOR BREACH THEREOF SHALL BE LIMITED TO THE REMEDIES AVAILABLE UNDER THIS EXPRESS LIMITED WARRANTY. SOME STATES DO NOT ALLOW LIMITATIONS ON HOW LONG AN IMPLIED WARRANTY LASTS, SO THE ABOVE LIMITATION MAY NOT APPLY TO YOU. IN NO EVENT SHALL AG SPRAY EQUIPMENT'S LIABILITY UNDER THIS LIMITED WARRANTY EXCEED THE ACTUAL AMOUNT PAID BY YOU FOR THE DEFECTIVE EQUIPMENT, NOR SHALL AG SPRAY EQUIPMENT BE LIABLE, UNDER ANY CIRCUMSTANCES, FOR ANY CONSEQUENTIAL, INCIDENTAL, SPECIAL OR PUNITIVE DAMAGES OR LOSSES, WHETHER DIRECT OR INDIRECT. SOME STATES DO NOT ALLOW THE EXCLUSION OR LIMITATION OF INCIDENTAL OR CONSEQUENTIAL DAMAGES, SO THE ABOVE LIMITATION OR EXCLUSION MAY NOT APPLY TO YOU.



BAKERSFIELD, CA
4618 SACO RD, 93308
661.391.9081
Toll Free: 877.724.2236
F: 661.391.9085
BAKERSFIELD@AGSPRAY.COM

COLUMBUS, NE
5834 23rd ST, 68601
402.564.4544
Toll Free: 800.274.1025
F: 402.564.0549
COLUMBUS@AGSPRAY.COM

DOTHAN, AL
2401 FORRESTER RD, 36301
334.673.0580
Toll Free: 800.227.4098
F: 334.673.1974
DOTHAN@AGSPRAY.COM

FARGO, ND
4350 48th AVE N, 58102
701.280.2862
Toll Free: 800.373.4084
F: 701.293.0961
FARGO@AGSPRAY.COM

HOPKINSVILLE, KY
3303 PEMBROKE RD, 42240
270.886.0296
Toll Free: 800.637.7172
F: 270.885.7392
HOPKINSVILLE@AGSPRAY.COM

MANKATO, MN
907 SOUTHBEND AVE, 56001
507.377.6295
Toll Free: 800.722.9376
F: 507.388.4668
MANKATO@AGSPRAY.COM

NEWTON, KS
7000 SCHABEN CT, 67114
316.283.4444
Toll Free: 800.394.7662
F: 316.293.4646
NEWTON@AGSPRAY.COM

PASCO, WA
3035 TRAVEL PLAZA WAY, 99301
509.488.6631
Toll Free: 800.634.2026
F: 509.488.2927
OTHELLO@AGSPRAY.COM

TEMPE, AZ
8464 KYRENE RD, 85284
480.705.8047
Toll Free: 877.705-8047
F: 480.705.8048
TEMPE@AGSPRAY.COM